

# LED STADIUM FLOOD LIGHT



# PALERMO 20R



Migdal Or Lighting Eng.

Tel. 04-8525244

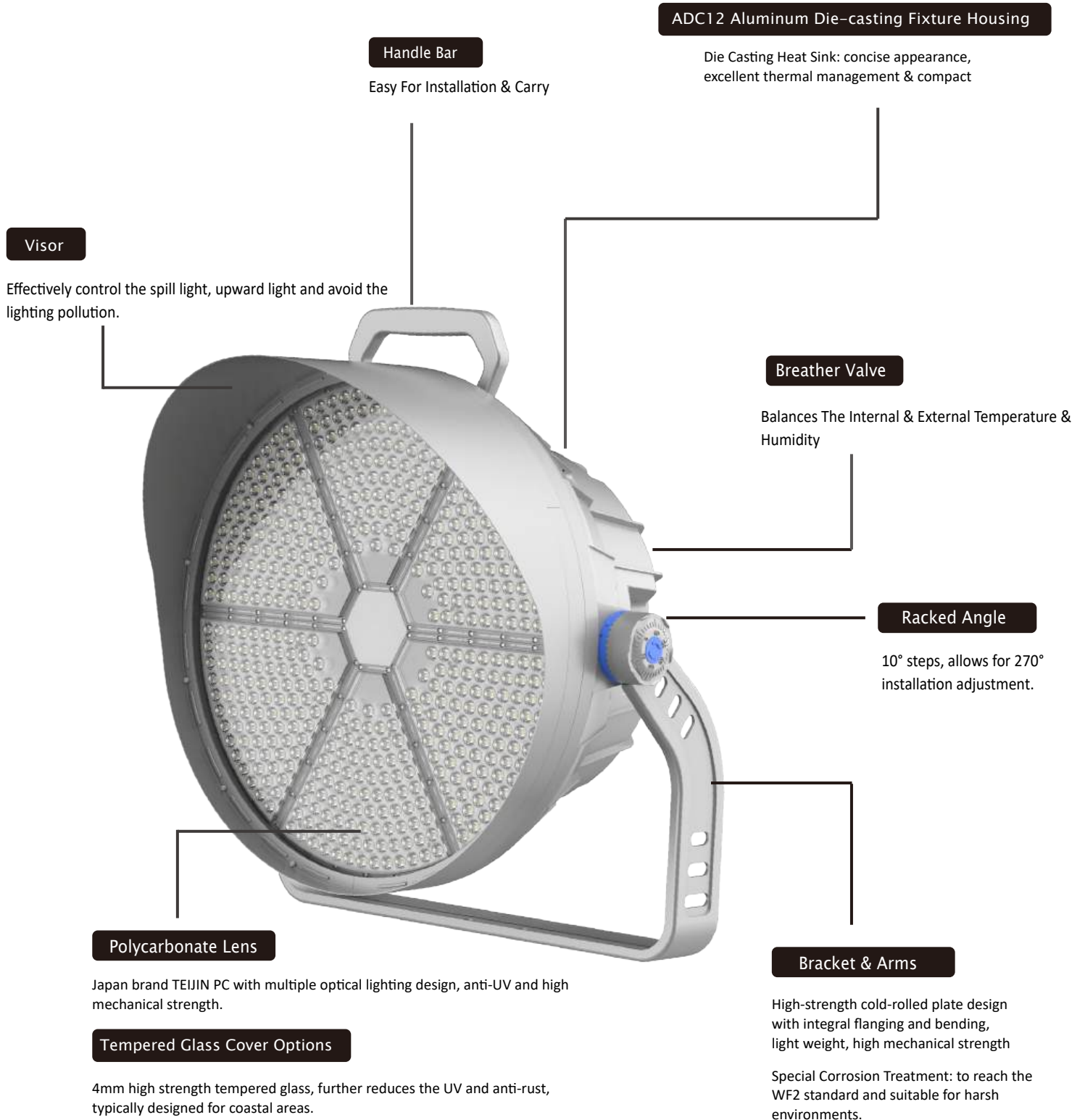
Fax. 04-8525245

Email: office@migdal-or.org

APPROVED BY:



# Key Features



# PALERMO20R - SPECIFICATION FEATURES

## Specifications

### Optical Data

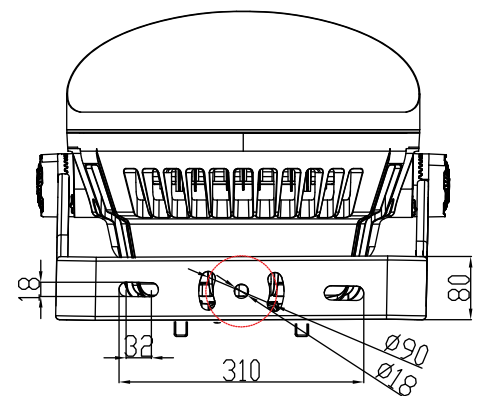
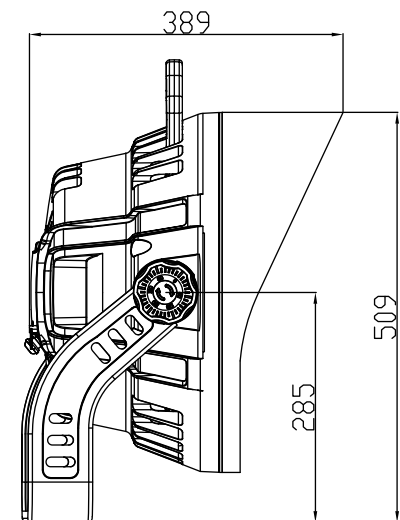
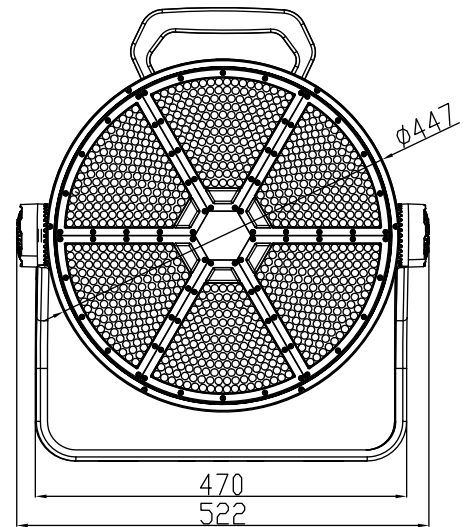
Power	400W
LED Chips	Lumileds
Luminous Efficacy	150lm/W±5%
Luminous Flux	Refer to IES
CCT	2700K-6500K
Beam Angle	10°/15°/25°/45°/60°/90°
CRI (Ra)	70+/80+/90+

### Electrical Data

Driver	MW/Meanwell/INVENTRONICS
Input Voltage	AC100-305V,50-60Hz
Power Factor	>0.95
Output Voltage	DC42V
Total Harmonic Distortion	< 15%
Driver Efficiency	92%

### Others

IP Rating	IP66
Lifespan	60,000Hrs
Housing	Die-Cast Aluminum
Lens Material	Polycarbonate
Fixture Size	522*509*389mm
Carton Size	690*580*345mm
Net Weight	19.25KG
Gross Weight	22.00KG
Accessory	Tempering Glass Cover



# PALERMO20R - SPECIFICATION FEATURES

## Specifications

### Optical Data

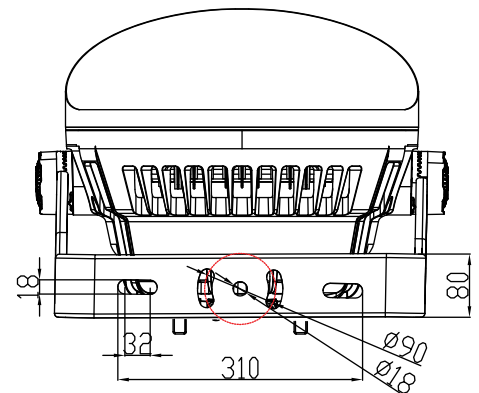
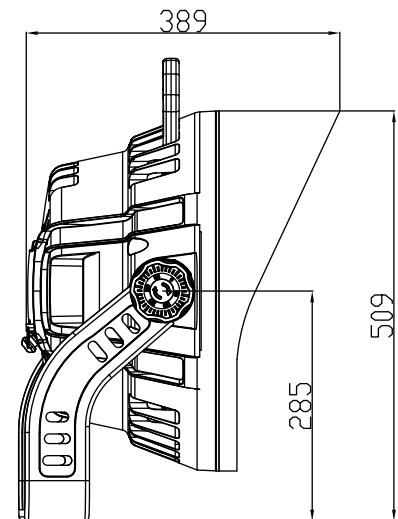
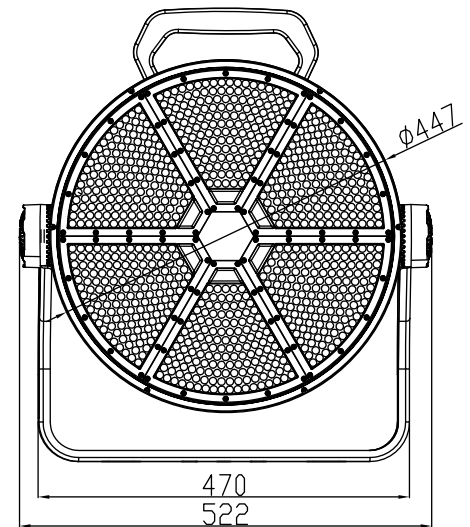
Power	500W
LED Chips	Lumileds
Luminous Efficacy	150lm/W±5%
Luminous Flux	Refer to IES
CCT	2700K-6500K
Beam Angle	10°/15°/25°/45°/60°/90°
CRI (Ra)	70+/80+/90+

### Electrical Data

Driver	MW/Meanwell/INVENTRONICS
Input Voltage	AC100-305V,50-60Hz
Power Factor	>0.95
Output Voltage	DC42V
Total Harmonic Distortion	< 15%
Driver Efficiency	92%

### Others

IP Rating	IP66
Lifespan	60,000Hrs
Housing	Die-Cast Aluminum
Lens Material	Polycarbonate
Fixture Size	522*509*389mm
Carton Size	690*580*345mm
Net Weight	19.25KG
Gross Weight	22.00KG
Accessory	Tempering Glass Cover



# PALERMO20R - SPECIFICATION FEATURES

## Specifications

### Optical Data

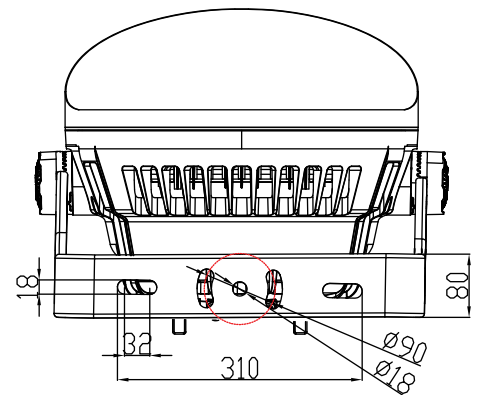
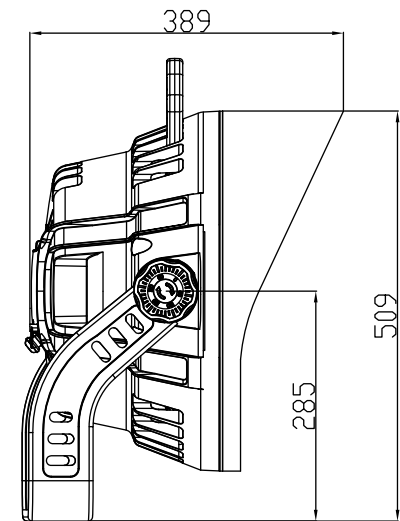
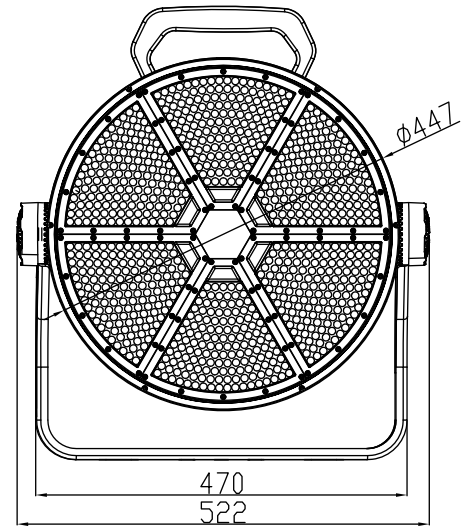
Power	600W
LED Chips	Lumileds
Luminous Efficacy	150lm/W±5%
Luminous Flux	Refer to IES
CCT	2700K-6500K
Beam Angle	10°/15°/25°/45°/60°/90°
CRI (Ra)	70+/80+/90+

### Electrical Data

Driver	MW/Meanwell/INVENTRONICS
Input Voltage	AC100-305V,50-60Hz
Power Factor	> 0.95
Output Voltage	DC42V
Total Harmonic Distortion	< 15%
Driver Efficiency	92%

### Others

IP Rating	IP66
Lifespan	60,000Hrs
Housing	Die-Cast Aluminum
Lens Material	Polycarbonate
Fixture Size	522*509*389mm
Carton Size	690*580*345mm
Net Weight	19.25KG
Gross Weight	22.00KG
Accessory	Tempering Glass Cover



# PALERMO20R - SPECIFICATION FEATURES

## Specifications

### Optical Data

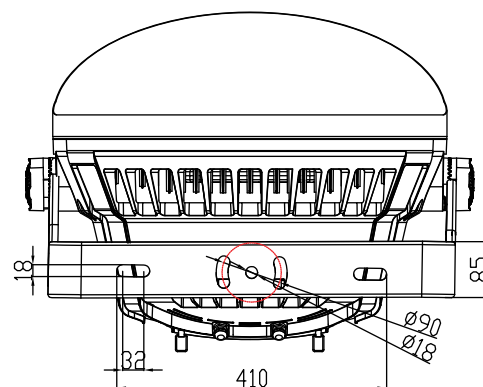
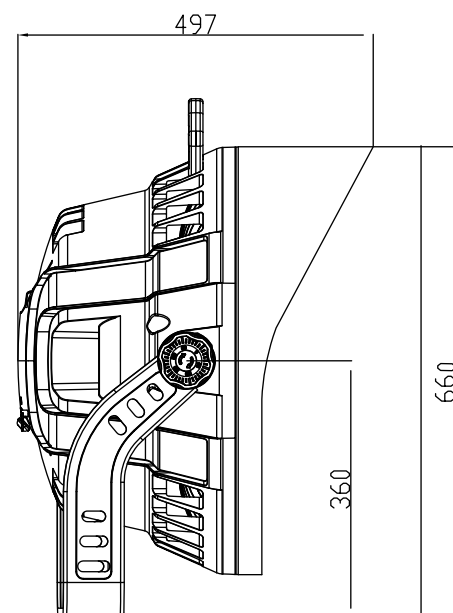
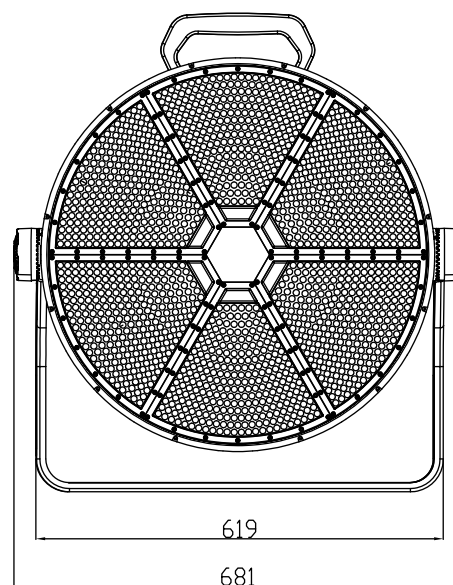
Power	800W
LED Chips	Lumileds
Luminous Efficacy	150lm/W±5%
Luminous Flux	Refer to IES
CCT	2700K-6500K
Beam Angle	10°/15°/25°/45°/60°/90°
CRI (Ra)	70+/80+/90+

### Electrical Data

Driver	MW/Meanwell/INVENTRONICS
Input Voltage	AC100-305V,50-60Hz
Power Factor	>0.95
Output Voltage	DC42V
Total Harmonic Distortion	< 15%
Driver Efficiency	92%

### Others

IP Rating	IP66
Lifespan	60,000Hrs
Housing	Die-Cast Aluminum
Lens Material	Polycarbonate
Fixture Size	681*660*497mm
Carton Size	805*735*405mm
Net Weight	31.90KG
Gross Weight	36.00KG
Accessory	Tempering Glass Cover



# PALERMO20R - SPECIFICATION FEATURES

## Specifications

### Optical Data

Power	1000W
LED Chips	Lumileds
Luminous Efficacy	150lm/W±5%
Luminous Flux	Refer to IES
CCT	2700K-6500K
Beam Angle	10°/15°/25°/45°/60°/90°
CRI (Ra)	70+/80+/90+

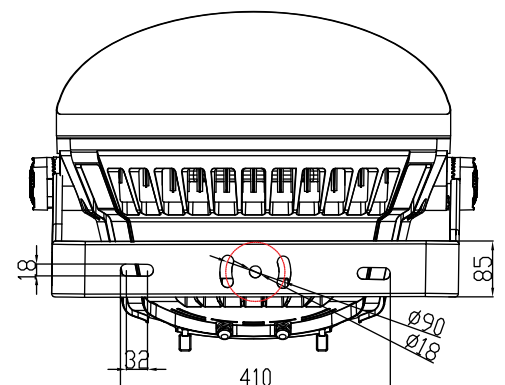
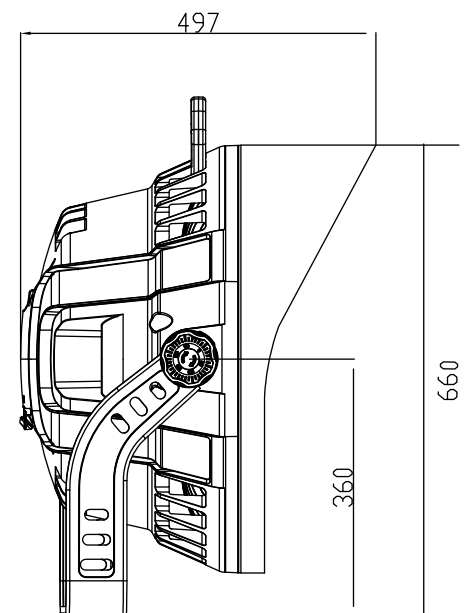
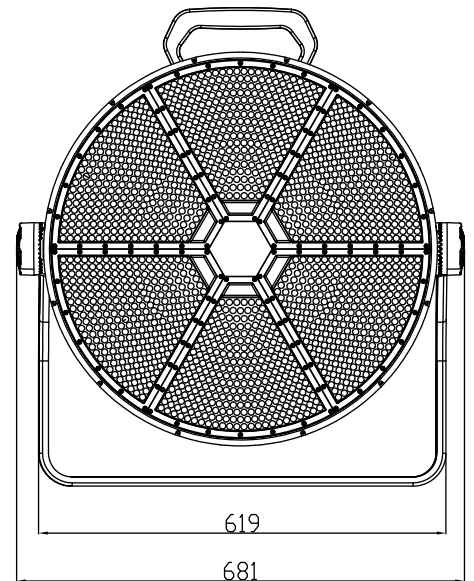
### Electrical Data

Driver	MW/Meanwell/INVENTRONICS
Input Voltage	AC100-305V,50-60Hz
Power Factor	> 0.95
Output Voltage	DC42V
Total Harmonic Distortion	< 15%
Driver Efficiency	92%

### Others

IP Rating	IP66
Lifespan	60,000Hrs
Housing	Die-Cast Aluminum
Lens Material	Polycarbonate
Fixture Size	681*660*497mm
Carton Size	805*735*405mm
Net Weight	31.90KG
Gross Weight	36.00KG

Accessory Tempering Glass Cover



# PALERMO20R - SPECIFICATION FEATURES

## Specifications

### Optical Data

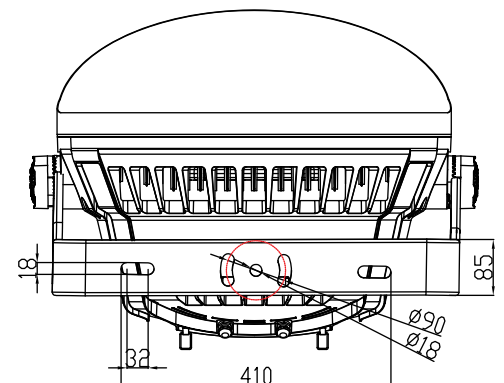
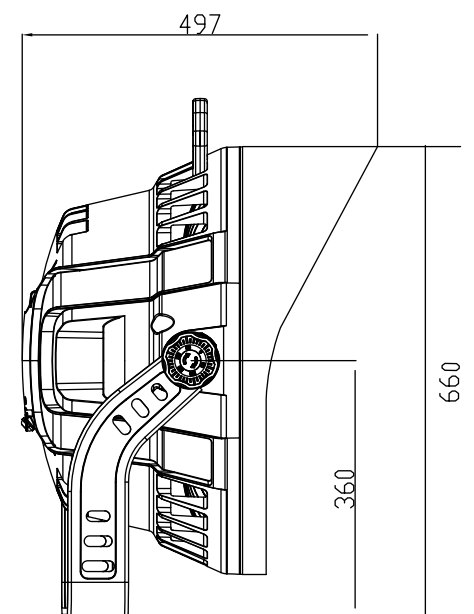
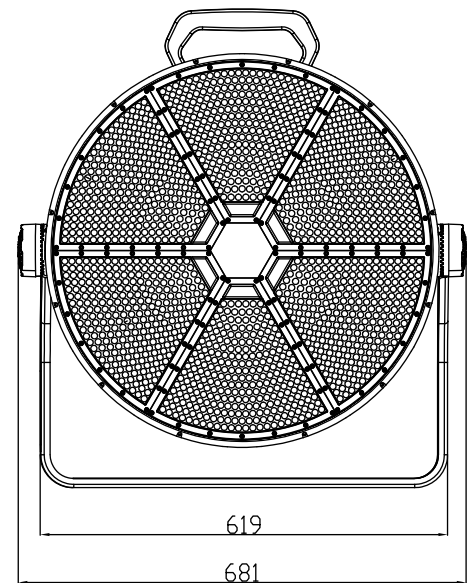
Power	1200W
LED Chips	Lumileds
Luminous Efficacy	150lm/W±5%
Luminous Flux	Refer to IES
CCT	2700K-6500K
Beam Angle	10°/15°/25°/45°/60°/90°
CRI (Ra)	70+/80+/90+

### Electrical Data

Driver	MW/Meanwell/INVENTRONICS
Input Voltage	AC100-305V,50-60Hz
Power Factor	>0.95
Output Voltage	DC42V
Total Harmonic Distortion	< 15%
Driver Efficiency	92%

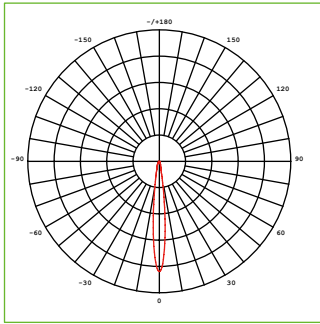
### Others

IP Rating	IP66
Lifespan	60,000Hrs
Housing	Die-Cast Aluminum
Lens Material	Polycarbonate
Fixture Size	681*660*497mm
Carton Size	805*735*405mm
Net Weight	31.90KG
Gross Weight	36.00KG
Accessory	Tempering Glass Cover

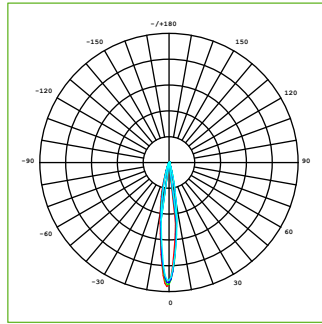




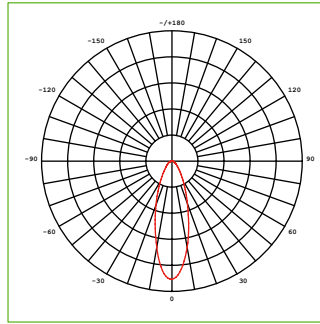
# PALERMO20R - Photometry



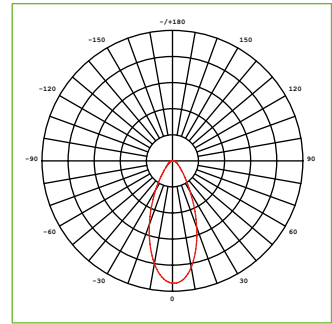
10°



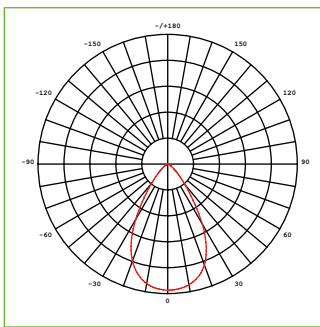
15°



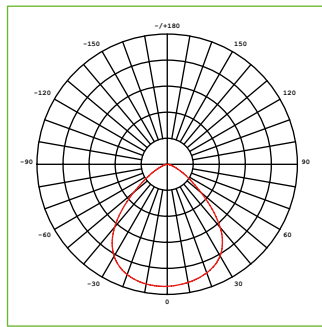
25°



45°

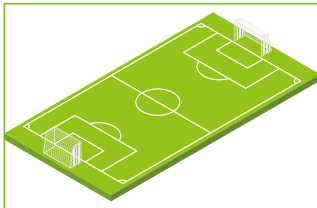


60°

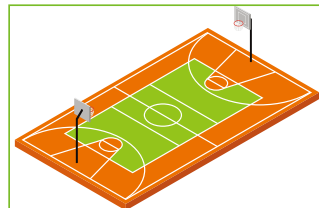


90°

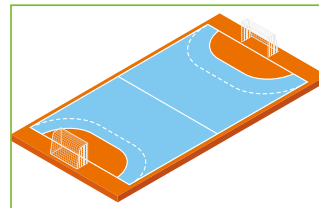
## Application Field



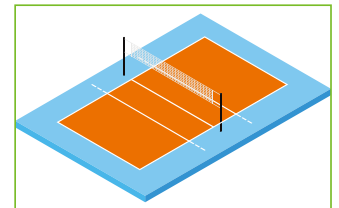
Soccer Field



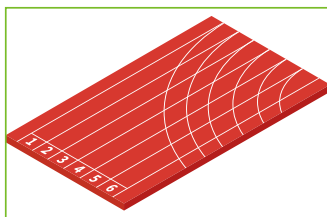
Basketball Court



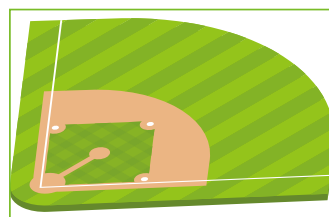
Hockey Field



Tennis Court



Athletic Field



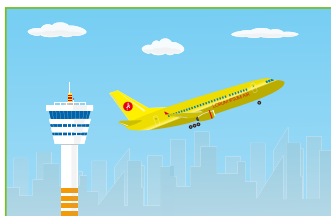
Baseball Field



Badminton Court



Stadium Arena



Airport