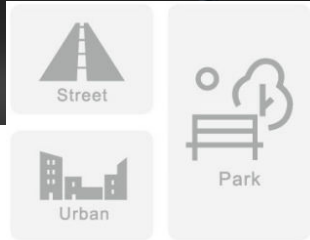


# SKY 1



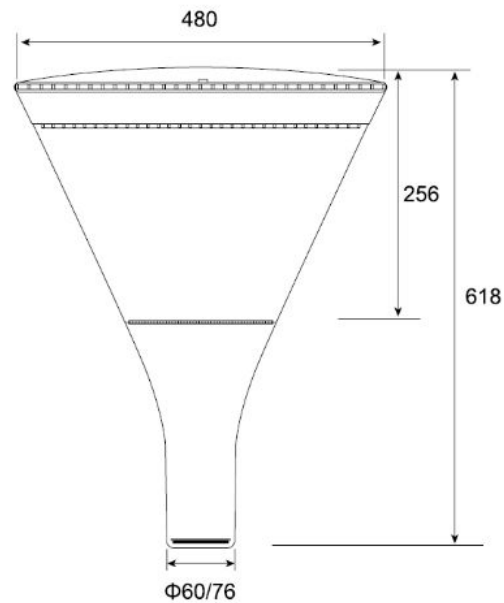
**Housing:** High-pressure die-casting aluminum housing, external electro-static powder spraying, 5mm thickness heat-proof silicone rubber gasket, PC diffuser, stainless steel screw, excellent dazzling light control

**Housing color:** light Grey. Dark Grey. Black (or specified color)

**LED model:** high-power led on metal-core PCB

**Light distribute:** use optical PC secondary light distribution technology, viewing angle, light-gathering effects can be adjusted by various lens according demands

**Protection grade:** IP66 and meet the work requirements of external environment, in dust-proof and water jet-proof.



|      | Order code | power(W) | Temperature color | Luminous Flux of the luminaire(lm)-4000k<br>(T=85°C) | CRI | Input voltage |
|------|------------|----------|-------------------|--|-----|---------------|
| SKY1 | 2201       | 30       | 1750-6500k        | ≥2100  | >80 | 100-305Vac    |
|      | 2202       | 40       | 1750-6500k        | ≥2800  | >80 | 100-305Vac    |
|      | 2203       | 50       | 1750-6500k        | ≥3500  | >80 | 100-305Vac    |