

PALERMO-21

Migdal-or Lighting Eng.

Tel. 04-8525244 Fax. 04-8525245 Email. office@migdal-or.org

Key Features

Integrated Die Casting Heat Sink: Excellent Thermal Management & Compact Structure

Handle Bar: Easy For Installation & Carry

Module Gap Design: Reduces Wind Area Resistance & Increases Heat Dissipation Performance

Double Surge Protection: Driver & Extra 10KV SPD

Spill Light: Reduces Light Pollution

Integrated Breather Valve: Balances The Internal & External Temperature & Humidity



Racked Angle: Allows For Precise Installation, Up to 270°

Customized Logo

High Strength Polycarbonate Lens, Realize In IK10,
Optical Lighting Distribution: 8/25/45/60/90°

Die-Casting Aluminum Arm & Bracket: Anti-Typhoon 17 & High Corrosion Resistance For Coastal Area



PALERMO 21 Sports & High Mast Light

PAL21-400W~500W



Specifications

Optical Data

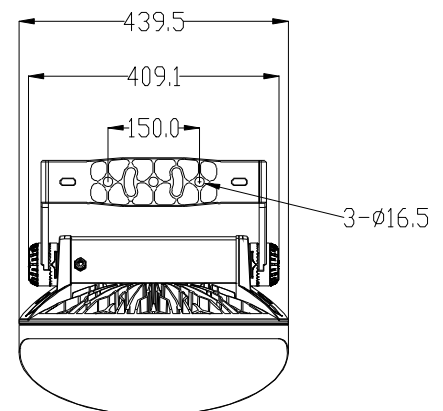
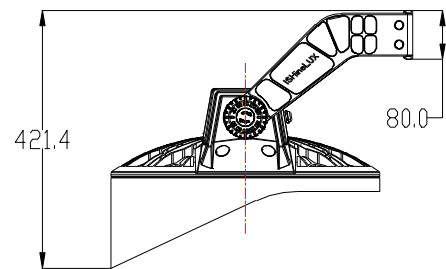
Power	400W/500W
LED Chips	Lumileds/OSRAM
Luminous Efficacy	140~150lm/W
Luminous Flux	72,236lm (480W 90°)
CCT	2700K-6500K
Beam Angle	8°/25°/45°/60°/90°
CRI (Ra)	70+/80+

Electrical Data

Driver	Meanwell/Sosen
Input Voltage	AC100-277V
Power Factor	>0.95
Output Voltage	DC42V
Total Harmonic Distortion	< 15%
Driver Efficiency	92%

Others

IP Rating	IP66
Lifespan	60,000Hrs
Housing	Die-Cast Aluminum
Lens Material	Polycarbonate
Fixture Size	493*439*421 mm
Carton Size	550*500*500 mm
Net Weight	15KG
Gross Weight	16KG



PALERMO 21 Sports & High Mast Light

PAL21-800W~1000W



Specifications

Optical Data

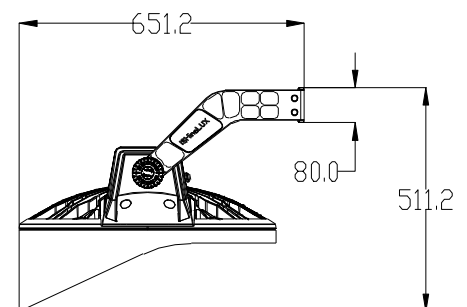
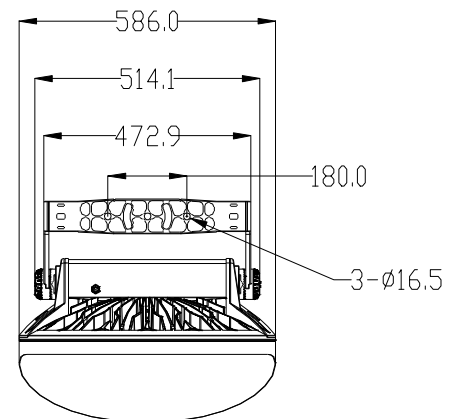
Power	800W/1000W
LED Chips	Lumileds /OSRAM
Luminous Efficacy	140~150lm/W
Luminous Flux	144,066lm (960W 90°)
CCT	2700K-6500K
Beam Angle	8°/25°/45°/60°/90°
CRI (Ra)	70+/80+

Electrical Data

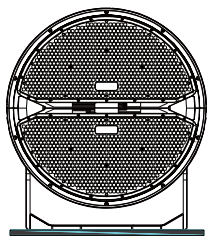
Driver	Meanwell/Sosen
Input Voltage	AC100-277V
Power Factor	>0.95
Output Voltage	DC42V
Total Harmonic Distortion	< 15%
Driver Efficiency	92%

Others

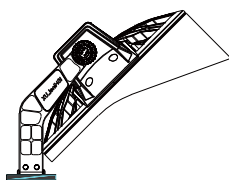
IP Rating	IP66
Lifespan	60,000Hrs
Housing	Die-Cast Aluminum
Lens Material	Polycarbonate
Fixture Size	651*585*511 mm
Carton Size	700*650*600 mm
Net Weight	27.5KG
Gross Weight	29.3KG



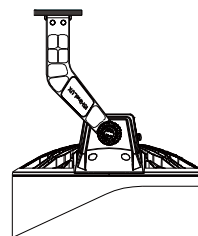
Installations



Vertical Mounting

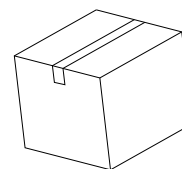
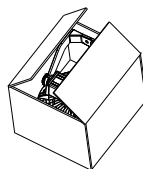
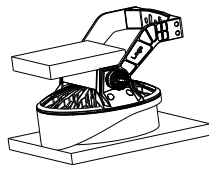
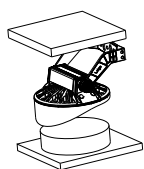


Vertical Mounting

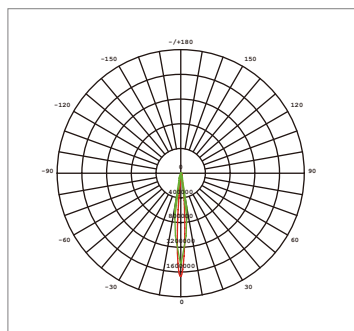


Hanging Mounting

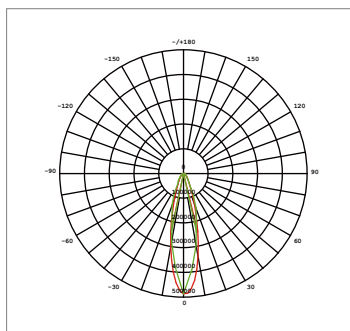
Package



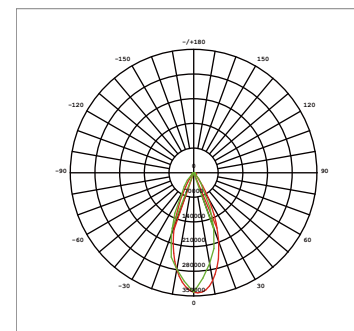
Photometric Diagrams



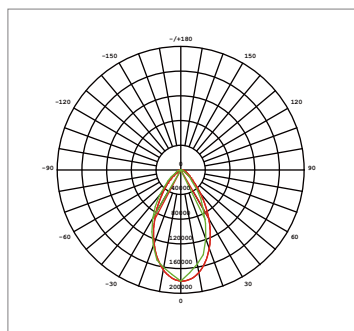
8 deg



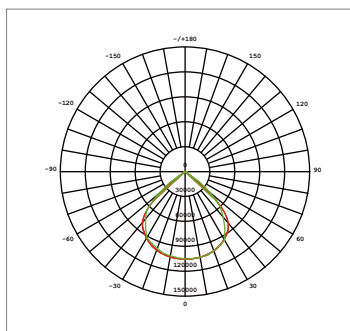
25 deg



45 deg

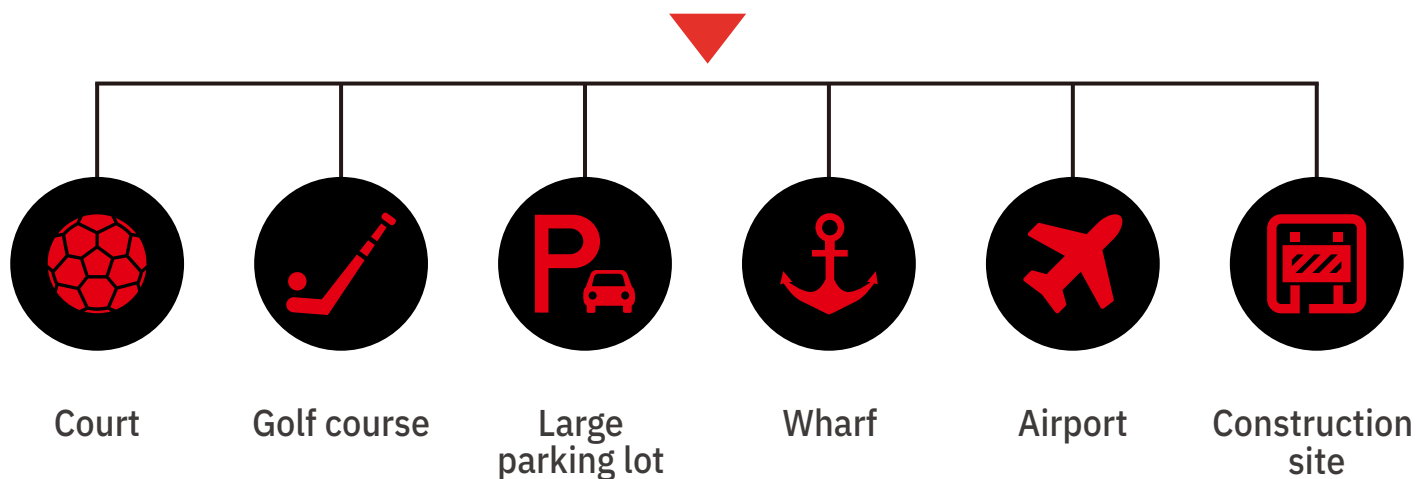


60 deg



90 deg

Application



Specifications

Model	Palermo21-400w	Palermo21-500w	Palermo21-800w	Palermo21-1000w
Power Consumption	400w	500w	800w	1000w
Input Voltage	AC 100-277V			
LED Chip	Lumileds/OSRAM			
Chip QTY	770 pcs	770 pcs	1540 pcs	1540 pcs
CRI	Ra>70, Ra>80			
Power Factor	>0.95			
Light Efficacy	140~150lm/W			
IP Rating	IP66			
Working Temp	-35°C ~ +50°C			
Beam Angel	8°/25°/45°/60°/90°			
Warranty	5 Years/ 7 Years			
Product Size Carton Size(mm)	L493xW439xH520 L550xW500xH500	L493xW439xH520 L550xW500xH500	L651xW586xH511 L700xW650xH600	L651xW586xH511 L700xW650xH600
N.W/G.W	15KG/16KG	15KG/16KG	27.5KG/29.3KG	27.5KG/29.3KG