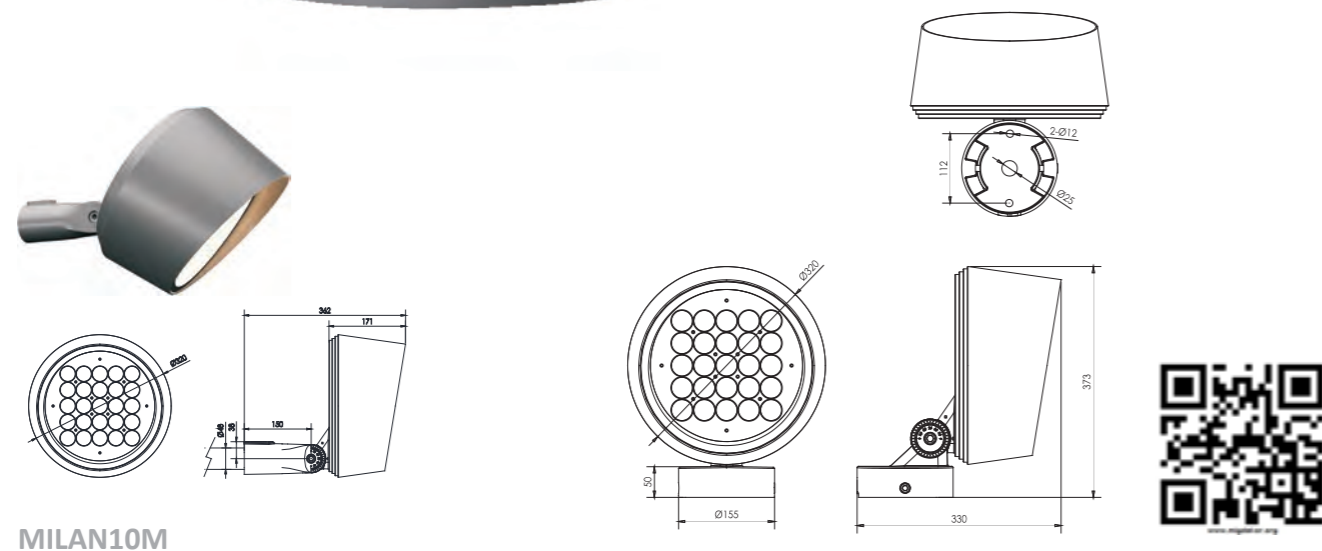


Flood Light Series

MILAN10F



MILAN10M

Product Introduction

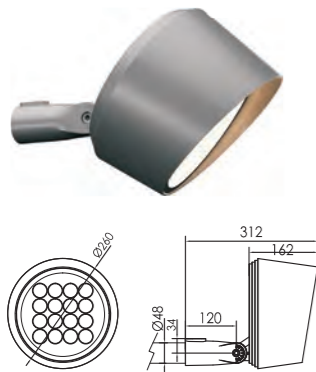
- 1、 Patent owned design, fashion and beautiful appearance, adopt isolated two bodies design could have the separate heat dissipation fully ensure the stability and long lifespan of LED light.
- 2、 With multiway rotate function of round support or "U" support available to meet the various occasions demands for outdoor projects.
- 3、 Light body adopts high pressure die-casting aluminum, surface with electrostatic plastic coating. Lampshade adopts high strength toughened glass, resist the impact and friction.
- 4、 Adopt American CREE original LED light source, high flus output, excellent consistency of light color; Constant current driver with PWM gray control installed inside, RGB gray level reaches to 65,536 degree equally, make the light result much beautiful. 5、 Powerful DMX512 interface adopts high reliable bus connect, all has the function of automatic addressing.

Specification

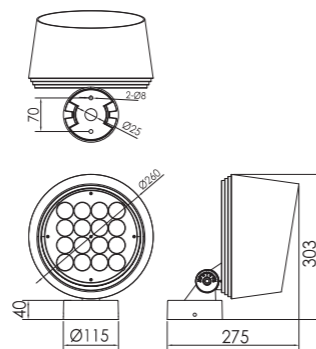
Product Code	SL1132FE-25	SL1132FD-25	SL1132FF-24	SL1132FC-72
Led Brand	CREE XP-L	CREE XP-G3	CREE RGBW 4 in1	CREE XP-E2
Led Quantity	25pcs	25pcs	24pcs	72pcs
Rared Power	120W	85W	150W/200W	150W
Input Voltage	AC100-305V	AC100-305V	DC36V / AC100-305V	
Frequency Range	50/60Hz	50/60Hz	50/60Hz	50/60Hz
Color	Single	Single	RGBW	RGB
Beam Angle	2.6° 3.5° 12° 20° 30° 60° 10X70° 5X20		15° 20° 30° 15X60°	5° 10° 12.5° 15X60°
Control Mode	CC/DALI/0-10V	CC/DALI/0-10V	DMX512/RDM	DMX512/RDM
Life	50000H	50000H	50000H	50000H
Protection Grade	IP66	IP66	IP66	IP66
Ambient Temperature	-25°C~50°C	-25°C~50°C	-25°C~50°C	-25°C~50°C
Ambient Humidity	10%~90%	10%~90%	10%~90%	10%~90%



Flood Light Series MILAN20F



MILAN10M



Product Introduction



- 1、 Patent owned design, fashion and beautiful appearance, adopt isolated two bodies design,could have the separate heat dissipation fully ensure the stability and long lifespan of LED light.
- 2、 With multiway rotate function of round support or "U" support available to meet the various occasions demands for outdoor projects.
- 3、 Light body adopts high pressure die-casting aluminum, surface with electrostatic plastic coating. Lampshade adopts high strength toughened glass, resist the impact and friction.
- 4、 Adopt American CREE original LED light source, high flus output, excellent consistency of light color; Constant current driver with PWM gray control installed inside, RGB gray level reaches to 65,536 degree equally, make the light result much beautiful.
- 5、 Powerful DMX512 interface adopts high reliable bus connect, all has the function of automatic addressing.

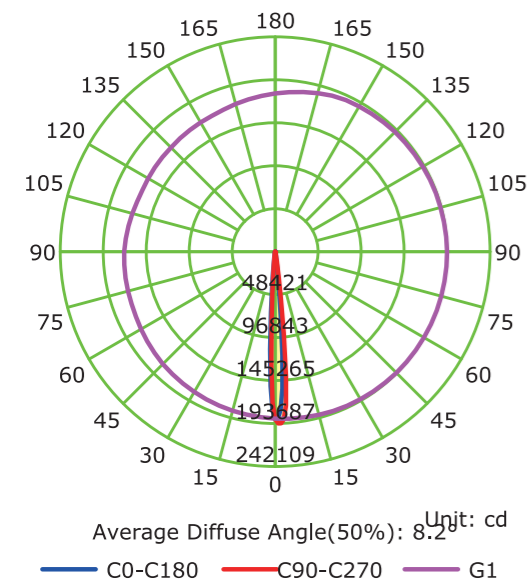
Specification

Product Code	SL1135FE-16	SL1135FD-16	SL1135FF-16	SL1135FC-48
Led Brand	CREE XP-L	CREE XP-G3	CREE RGBW 4 in1	CREE XP-E2
Led Quantity	16pcs	16pcs	16pcs	48pcs
Rared Power	75W	60W	100W	100W
Input Voltage	AC100-305V	AC100-305V	DC36V / AC100-305V	
Frequency Range	50/60Hz	50/60Hz	50/60Hz	50/60Hz
Color	Single	Single	RGBW	RGB
Beam Angle	2.6° 3.5° 12° 20° 30° 60° 10X70° 5X20		15° 20° 30° 15X60°	5° 10° 12.5° 15X60°
Control Mode	CC/DALI/0-10V	CC/DALI/0-10V	DMX512/RDM	DMX512/RDM
Life	50000H	50000H	50000H	50000H
Protection Grade	IP66	IP66	IP66	IP66
Ambient Temperature	-25℃~50℃	-25℃~50℃	-25℃~50℃	-25℃~50℃
Ambient Humidity	10%~90%	10%~90%	10%~90%	10%~90%



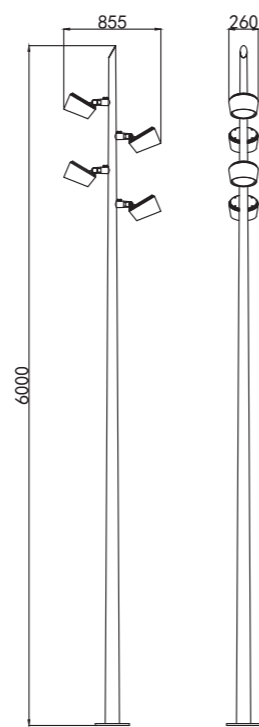
Distribution Curve Flux (SBC Case)

SL1135FE-16

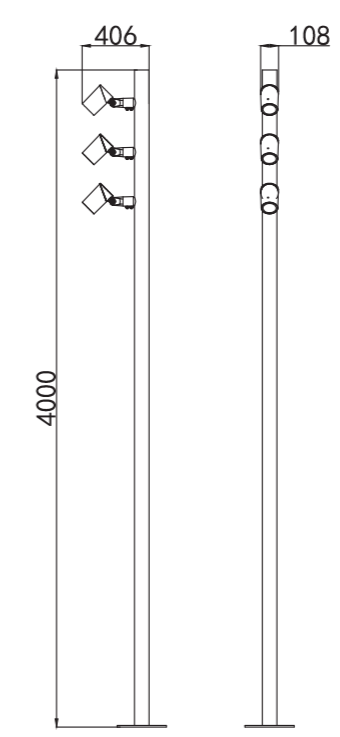


Dist(m)	Enadir(lx)	Dh/Dv_B(m)	S_B(sq.m)	Eav_B(lx)
3.0	20928.90	0.41/0.45	0.2	13758.83
5.0	7534.40	0.69/0.75	0.5	4953.18
8.0	2943.13	1.11/1.20	1.2	1934.84
10.0	1883.60	1.38/1.50	1.8	1238.29
12.0	1308.06	1.66/1.80	2.6	859.93
15.0	837.16	2.07/2.25	4.1	550.35

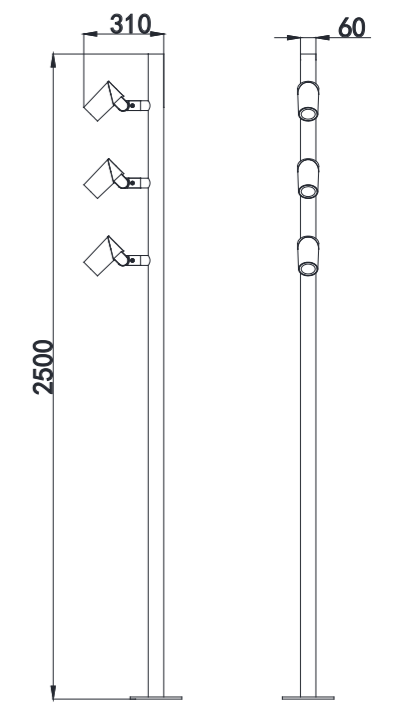
Dh Beam Angle(B): H7.9 V8.6 Field Angle(F): H14.2 V14.7



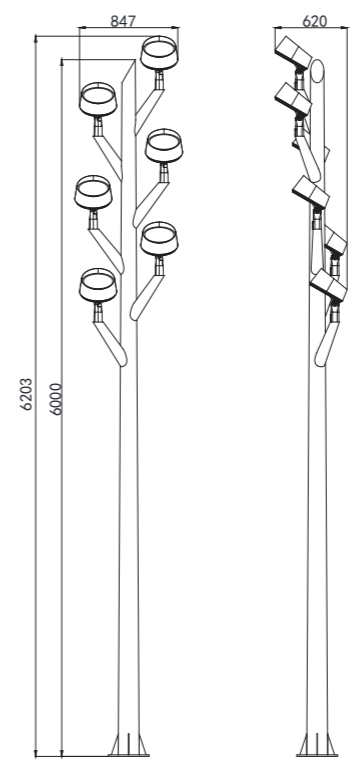
SL1135M-26-06-04



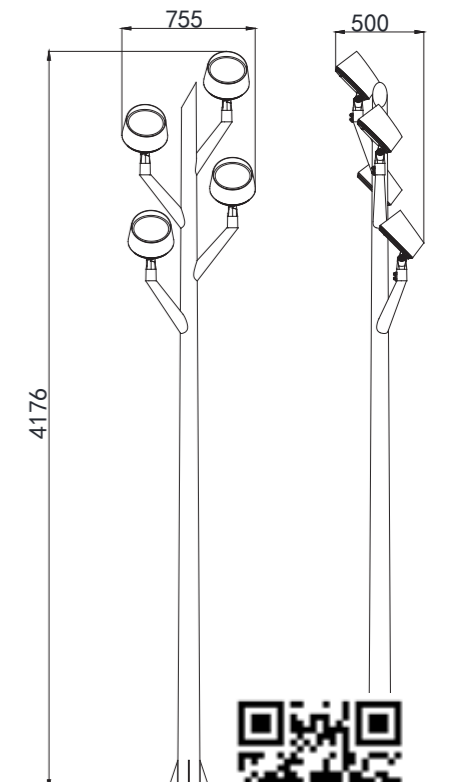
SL1140M-26-04-03



SL1145M-26-02-03



SL1132F-26-06-06

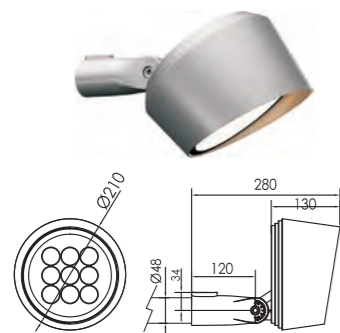
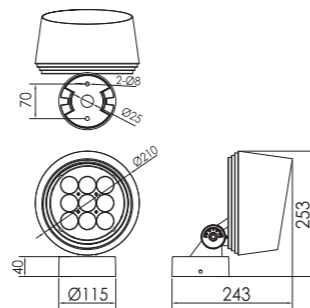


SL1135F-26-04-04

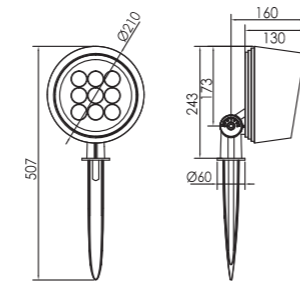


Flood Light Series

MILAN30F



MILAN30M



MILAN30S

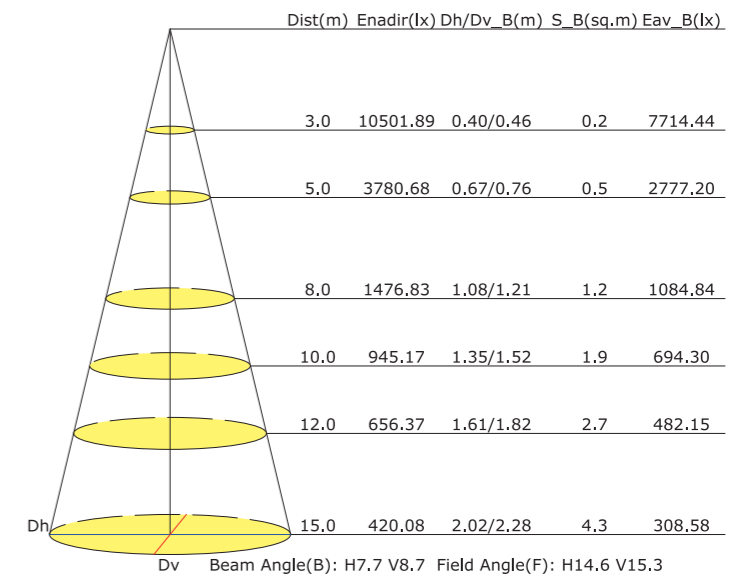
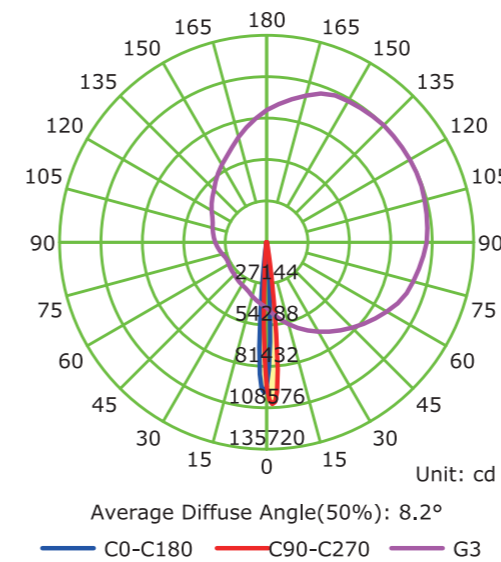


Specification

Product Code	SL1136FE-9	SL1136FD-9	SL1136FF-9	SL1136FC-30
Led Brand	CREE XP-L	CREE XP-G3	CREE RGBW 4 in1	CREE XP-E2
Led Quantity	9pcs	9pcs	9pcs	30pcs
Rared Power	45W	35W	60W	60W
Input Voltage	AC100-264V	AC100-264V	DC36V / AC100-305V	
Frequency Range	50/60Hz	50/60Hz	50/60Hz	50/60Hz
Color	Single	Single	RGBW	RGB
Beam Angle	2.6° 3.5° 12° 20° 30° 60° 10X70° 5X20°		15° 20° 30° 15X60°	5° 10° 12.5° 15X60°
Control Mode	CC/DALI/0-10V	CC/DALI/0-10V	DMX512/RDM	DMX512/RDM
Life	50000H	50000H	50000H	50000H
Protection Grade	IP66	IP66	IP66	IP66
Ambient Temperature	-25°C~50°C	-25°C~50°C	-25°C~50°C	-25°C~50°C
Ambient Humidity	10%~90%	10%~90%	10%~90%	10%~90%

Distribution Curve Flux (SBC Case)

SL1136FE-9



SL1132 / SL1135 / SL1136 / SL1137 / SL1139

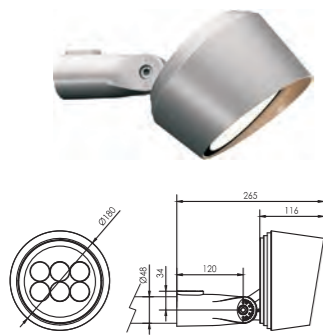
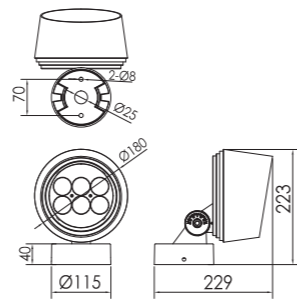


- control light accessories
1. Round-meshed grill
 2. Honeycomb grill
 3. Honeycomb glass

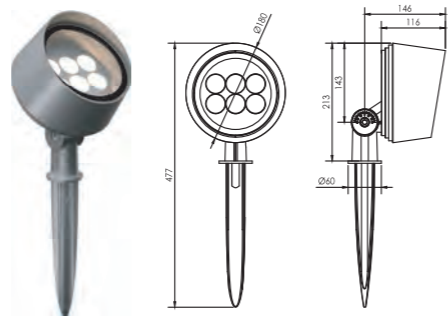


Flood Light Series

MILAN40F



MILAN40M



MILAN40S

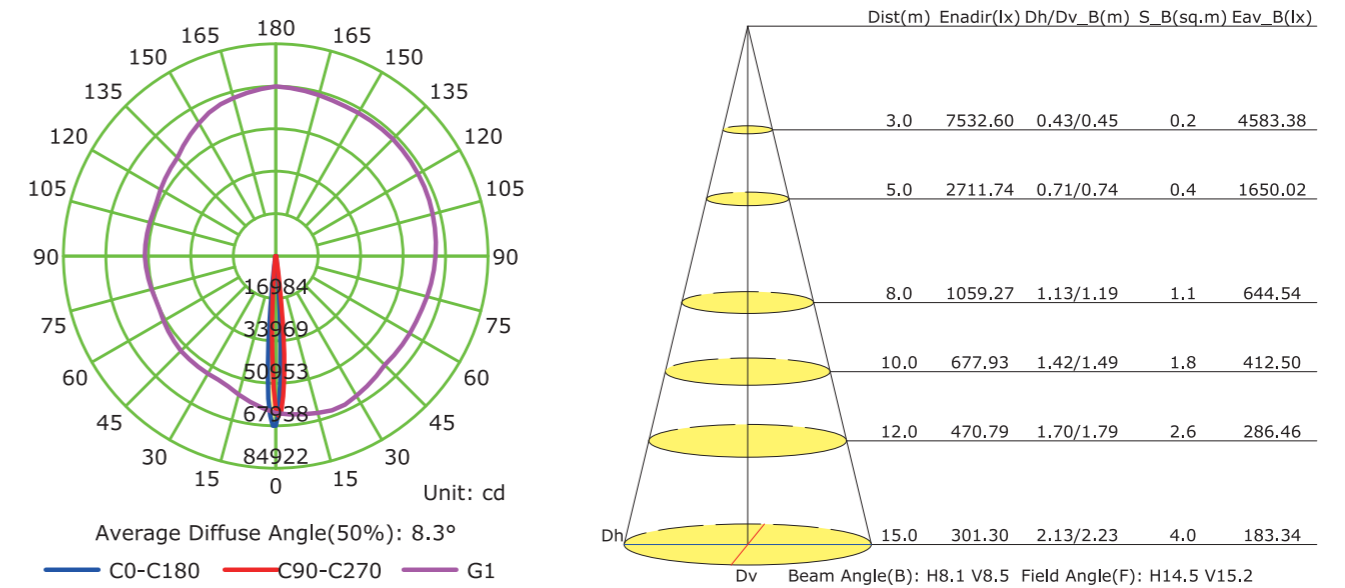


Specification

Product Code	SL1137FE-6	SL1137FD-6	SL1137FF-6
LED Brand	CREE XP-L	CREE XP-G3	CREE RGBW 4 in 1
LED Quantity	6pcs	6pcs	6pcs
Rated Power	30W	22W	30W
Input Voltage	AC100-264V	AC100-264V	DC24V/AC100-264V
Frequency Range	50/60Hz	50/60Hz	50/60Hz
Color	Single	Single	RGBW
Beam Angle	2.6° 3.5° 12° 20° 30° 60° 10X70° 5X20°		15° 20° 30° 15X60°
Control Model	CC/DALI/0-10V	CC/DALI/0-10V	DMX512
Life	50000H	50000H	50000H
Protection Grade	IP66	IP66	IP66
Ambient Temperature	- 25°C ~ 50°C	- 25°C ~ 50°C	- 25°C ~ 50°C
Ambient Humidity	10% ~ 90%°	10% ~ 90%°	10% ~ 90%

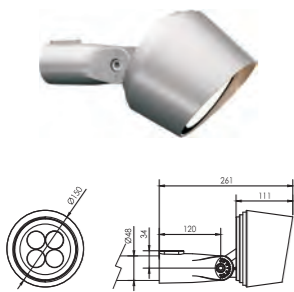
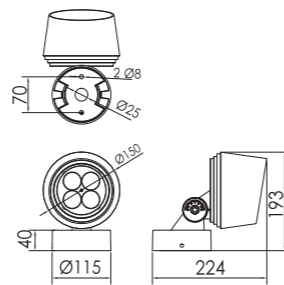
Distribution Curve Flux (SBC Case)

SL1137FE-6

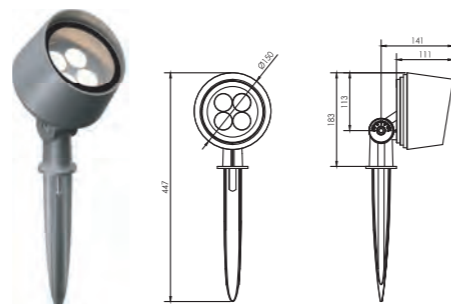


Flood Light Series

MILAN50F



MILAN50M



MILAN50S

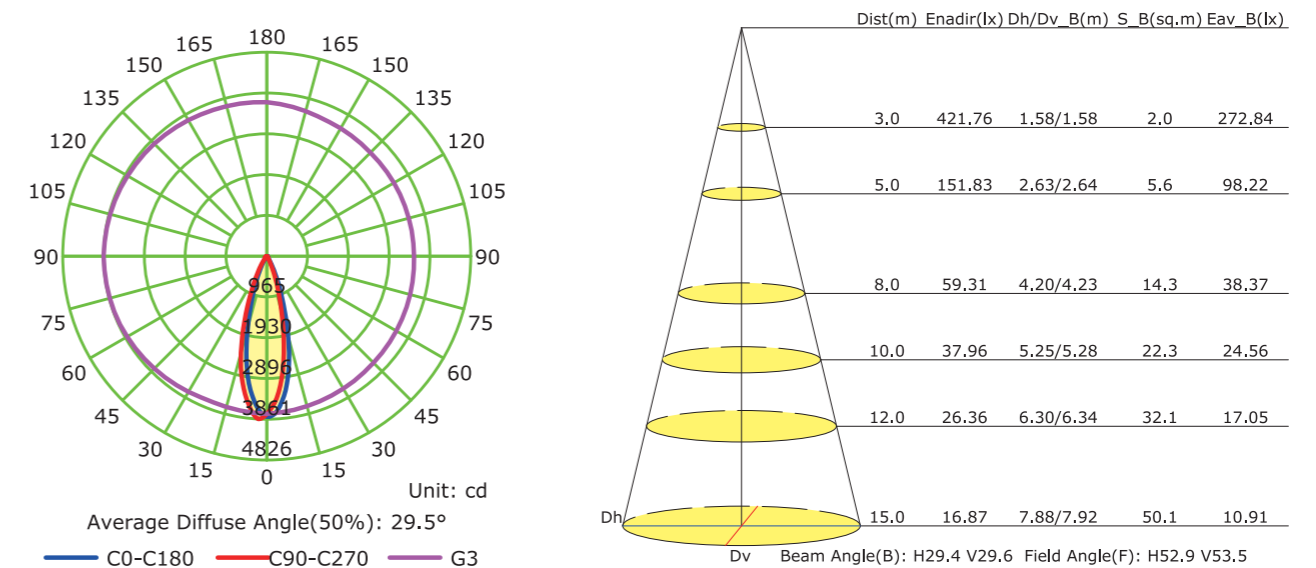


Specification

Product Code	SL1139FE-4	SL1139FD-4	SL1139FF-4
LED Brand	CREE XP-L	CREE XP-G3	CREE RGBW 4 in 1
LED Quantity	4pcs	4pcs	4pcs
Rated Power	20W	15W	20W
Input Voltage	AC100-264V	AC100-264V	DC24V/AC100-264V
Frequency Range	50/60Hz	50/60Hz	50/60Hz
Color	Single	Single	RGBW
Beam Angle	2.6° 3.5° 12° 20° 30° 60° 10X70° 5X20°		5° 20° 30° 15X60°
Control Mode	CC/DALI/0-10V	CC/DALI/0-10V	DMX512
Life	50000H	50000H	50000H
Protection Grade	IP66	IP66	IP66
Ambient Temperature	- 25°C ~ 50°C	- 25°C ~ 50°C	- 25°C ~ 50°C
Ambient Humidity	10% ~ 90%°	10% ~ 90%°	10% ~ 90%

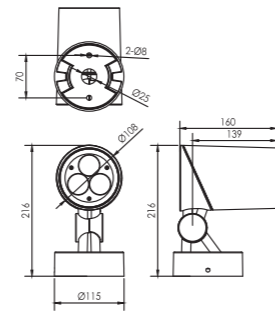
Distribution Curve Flux (SBC Case)

SL1139FD-4



Flood Light Series

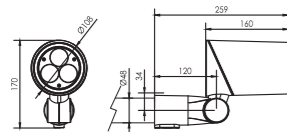
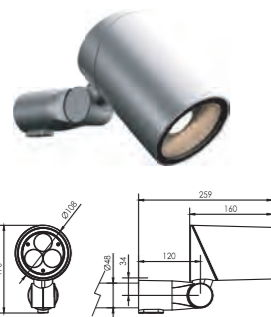
MILAN60F



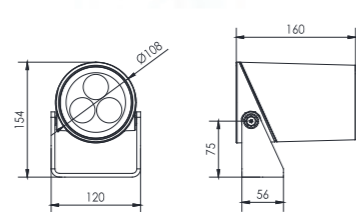
Specification

Product Code	SL1140FI-3	SL1140FE-3	SL1140FD-3	SL1140FG-1	SL1140FF-3
LED Brand	CREE XHP35	CREE XP-L	CREE XP-G3	OSRAM	CREE RGBW 4 in 1
LED Quantity	3pcs	3pcs	3pcs	1pc	3pcs
Rated Power	30W	15W	12W	15W/30W	12W
Input Voltage	AC100-264V	AC100-264V	AC100-264V	DC12V/DC24V	DC24V
Frequency Range	50/60Hz	50/60Hz	50/60Hz	50/60Hz	50/60Hz
Color	Single	Single	Single	RGBW	RGBW
Beam Angle	2.6° 3.5° 12° 20° 30° 10X70° 5X20°		5° 25°	5° 25°	15° 20° 30° 15x60°
Control Mode	CC	CC/DALI/0-10V	CC/DALI/0-10V	DMX512	DMX512
Life	50000H	50000H	50000H	50000H	50000H
Protection Grade	IP66	IP66	IP66	IP66	IP66
Ambient Temperature	-25°C ~ 50°C	-25°C ~ 50°C	-25°C ~ 50°C	-25°C ~ 50°C	-25°C ~ 50°C
Ambient Humidity	10% ~ 90%	10% ~ 90%	10% ~ 90%	10% ~ 90%	10% ~ 90%

Product Code	SL1140F-C15	SL1140F-C20
Led Brand	CREE COB	CREE COB
Led Quantity	1pcs	1pcs
Rated Power	15W	20W
Input Voltage	AC100-264V	AC100-264V
Frequency Range	50/60Hz	50/60Hz
Color	Single	Single
Beam Angle	12° 24° 38° 45° 60°	
Control Mode	CC/DALI/0-10V	CC/DALI/0-10V
Life	50000H	50000H
Protection Grade	IP66	IP66
Ambient Temperature	-25°C ~ 50°C	-25°C ~ 50°C
Ambient Humidity	10% ~ 90%	10% ~ 90%



MILAN60M



MILAN60U



MILAN60S

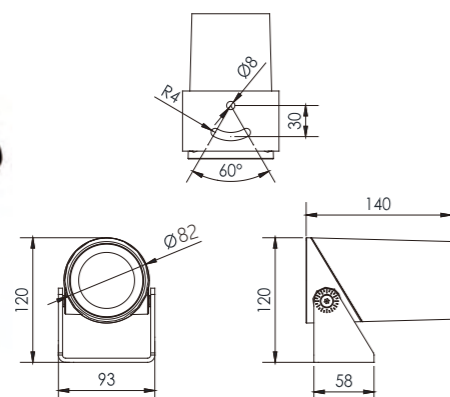


Flood Light Series

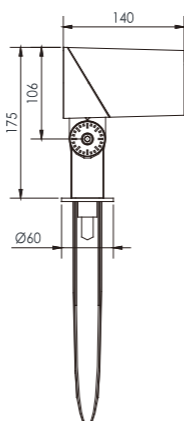
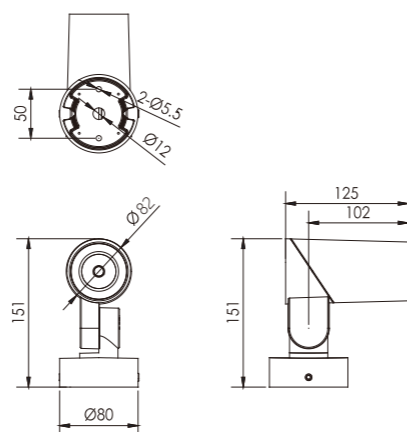
MILAN70F



MILAN70U



MILAN70S



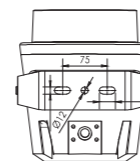
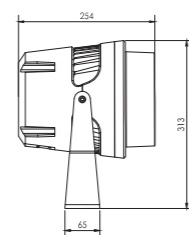
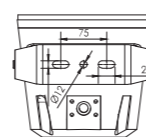
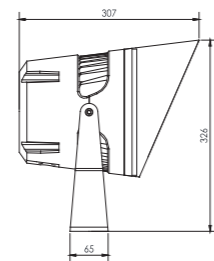
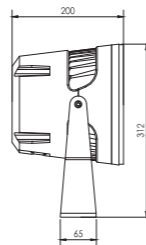
Specification

Product Code	SL1145FE-1	SL1145FF-1	SL1145FE-C12
Led Brand	CREE XHP35	CREE RGBW 4 in 1	CREE COB
Led Quantity	1pc	1pc	1pc
Rared Power	10W	8W	12W
Input Voltage	AC100-264V	DC12V/DC24V	AC100-264V
Frequency Range	50/60Hz	/	50/60Hz
Color	Single	RGBW	Single
Beam Rangle	3° 8° 25° 10X45°	8° 25° 10X45°	12° 24° 38°
Control Mode	CC	DMX512	CC
Life	50000H	50000H	50000H
Protection Grade	IP66	IP66	IP66
Ambient Temperature	-25°C~50°C	-25°C~50°C	-25°C~50°C
Ambient Humidity	10%~90%	10%~90%	10%~90%



Flood Light Series

MILAN80U



Product Introduction



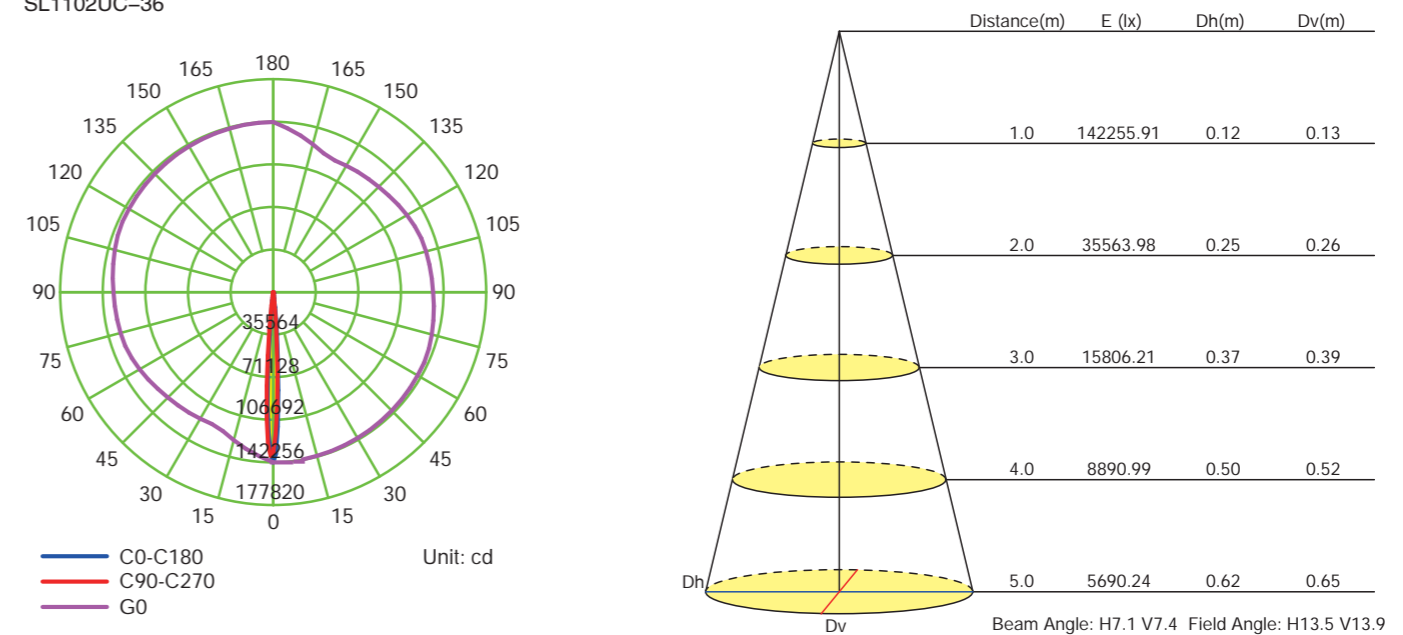
- 1、 Patent owned design, fashion and beautiful appearance, adopt isolated two bodies design could have the separate heat dissipation fully ensure the stability and long lifespan of LED light.
- 2、 With multiway rotate function of round support or "U" support available to meet the various occasions demands for outdoor projects.
- 3、 Light body adopts high pressure die-casting aluminum, surface with electrostatic plastic coating. Lampshade adopts high strength toughened glass, resist the impact and friction.
- 4、 Adopt American CREE original LED light source, high flus output, excellent consistency of light color; Constant current driver with PWM gray control installed inside, RGB gray level reaches to 65,536 degree equally, make the light result much beautiful.
- 5、 Powerful DMX512 interface adopts high reliable bus connect, all has the function of automatic addressing.

Specification

Product Code	SL1102UD-36	SL1102UC-36 CREE	SL1102UB-36	SL1102UC-24
Led Brand	CREE XP-G3	36pcs	CREE	CREE
Led Quantity	36pcs	86W	36pcs	24pcs
Rared Power	105W	DC24V/AC100-240V	46W	50W
Input Voltage	AC100-240V	50/60Hz		DC36V/AC100-240V
Frequency Range	50/60Hz	RGB/Single	50/60Hz	50/60Hz
Color	Single		RGB/Single	RGB/Single
Beam Angle	5° 8° 12.5° 20° 30° 45° 60° 90° 120° 150° 180°			
Control Mode	CC	IP66	DMX512/RDM	DMX512/RDM
Life	50000H	-25℃~50℃ 10%~90%	50000H	50000H
Protection Grade	IP66		IP66	IP66
Ambient Temperature	-25℃~50℃		-25℃~50℃	-25℃~50℃
Ambient Humidity	10%~90%		10%~90%	10%~90%

Distribution Curve Flux (SBC Case)

SL1102UC-36

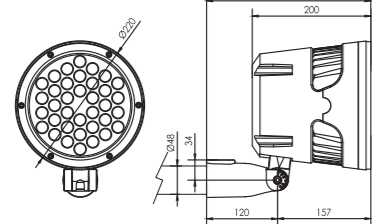


Flood Light Series

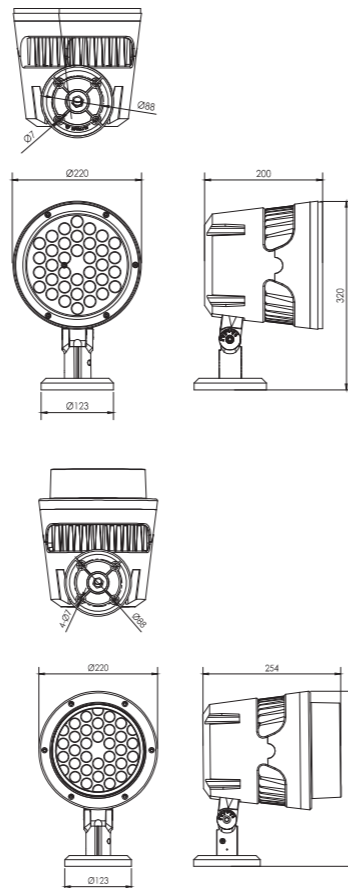
MILAN90F



MILAN90M



MILAN90X



Product Introduction



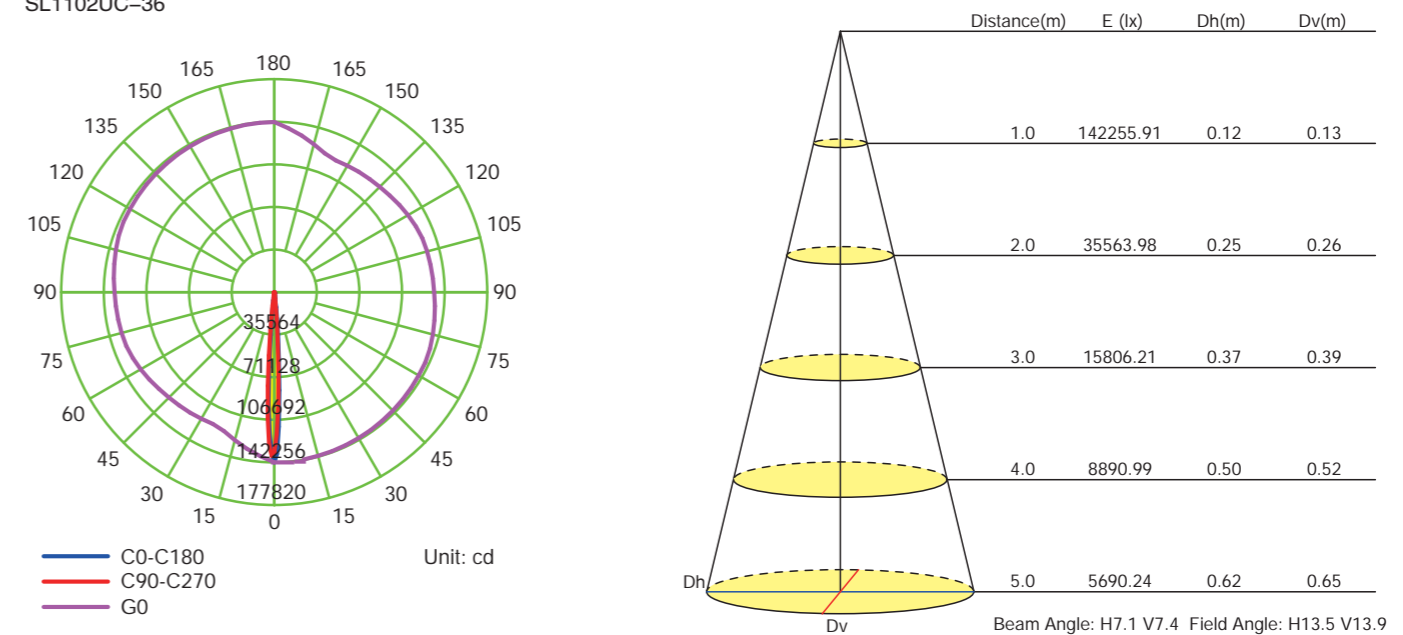
- 1、 Patent owned design, fashion and beautiful appearance, adopt isolated two bodies design could have the separate heat dissipation fully ensure the stability and long lifespan of LED light.
- 2、 With multiway rotate function of round support or "U" support available to meet the various occasions demands for outdoor projects.
- 3、 Light body adopts high pressure die-casting aluminum, surface with electrostatic plastic coating. Lampshade adopts high strength toughened glass, resist the impact and friction.
- 4、 Adopt American CREE original LED light source, high flus output, excellent consistency of light color; Constant current driver with PWM gray control installed inside, RGB gray level reaches to 65,536 degree equally, make the light result much beautiful.
- 5、 Powerful DMX512 interface adopts high reliable bus connect, all has the function of automatic addressing.

Specification

Product Code	SL1102FD-36	SL1102FC-36 CREE	SL1102FB-36	SL1102FC-24
Led Brand	CREE	36pcs	CREE	CREE
Led Quantity	36pcs	86W	36pcs	24pcs
Rared Power	105W	AC100-240V	50W	50W
Input Voltage	AC100-240V	50/60Hz		AC100-240V
Frequency Range	50/60Hz	Single	50/60Hz	50/60Hz
Color	Single		Single	Single
Beam Angle		5° 8° 12.5° 20° 30° 45° 60° 15X30° 10X60°		
Control Mode	CC	50000H IP66	50000H IP66	CC
Life	50000H	-25℃~50℃	-25℃~50℃	50000H
Protection Grade	IP66	10%~90%	10%~90%	IP66
Ambient Temperature	-25℃~50℃			-25℃~50℃
Ambient Humidity	10%~90%			10%~90%

Distribution Curve Flux (SBC Case)

SL1102UC-36

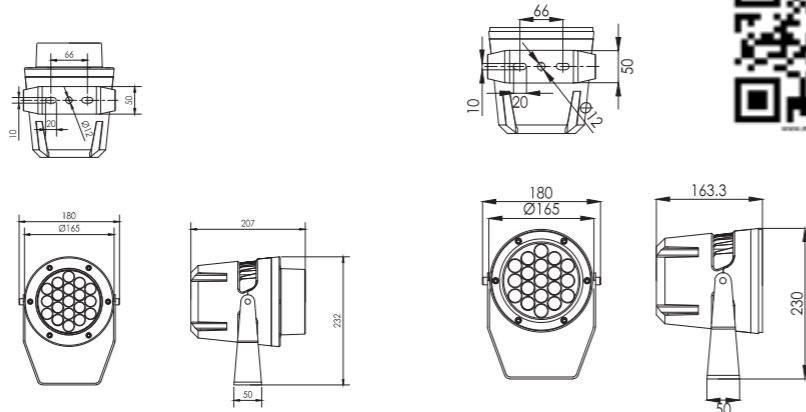


Flood Light Series

MILAN100U



MILAN100G



Product Introduction



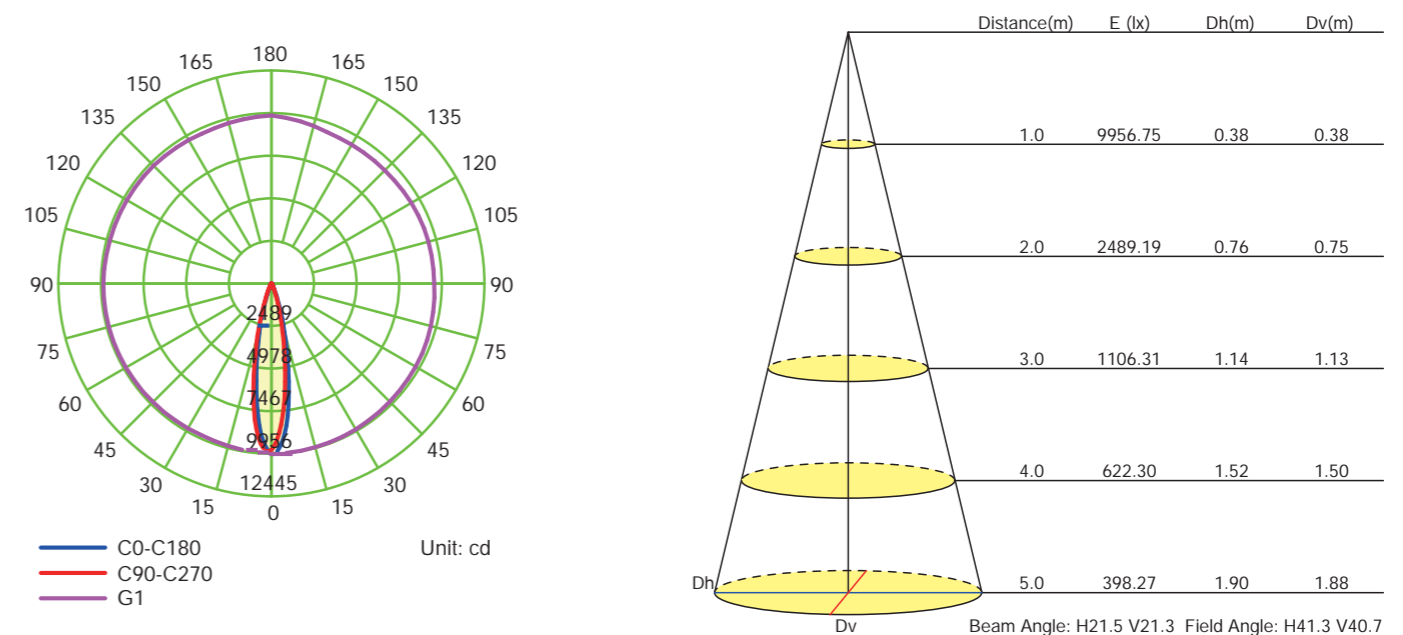
- 1、 Patent owned design, fashion and beautiful appearance, adopt isolated two bodies design could have the separate heat dissipation fully ensure the stability and long lifespan of LED light.
- 2、 With multiway rotate function of round support or "U" support available to meet the various occasions demands for outdoor projects.
- 3、 Light body adopts high pressure die-casting aluminum, surface with electrostatic plastic coating. Lampshade adopts high strength toughened glass, resist the impact and friction.
- 4、 Adopt American CREE original LED light source, high flus output, excellent consistency of light color; Constant current driver with PWM gray control installed inside, RGB gray level reaches to 65,536 degree equally, make the light result much beautiful.
- 5、 Powerful DMX512 interface adopts high reliable bus connect, all has the function of automatic addressing.

Specification

Product Code	SL1103UC-18	SL1103UB-18	SL1103UA-18
LED Brand	CREE XP-G3	CREE	CREE
LED Quantity	18pcs	18pcs	18pcs
Rated Power	45W	30W	21W
Input Voltage	AC100-240V	DC24V/AC100-240V	DC24V/AC100-240V
Frequency Range	50/60Hz	50/60Hz	50/60Hz
Color	Single	RGB/Single	RGB/Single
Beam Angle	5° 8° 12.5° 20° 30° 45° 60° 15X30° 10X60°		
Control Mode	CC	DMX512/CC	DMX512/CC
Life	50000H	50000H	50000H
Protection Grade	IP66	IP66	IP66
Ambient Temperature	- 25°C ~ 50°C	- 25°C ~ 50°C	- 25°C ~ 50°C
Ambient Humidity	10% ~ 90%	10% ~ 90%	10% ~ 90%

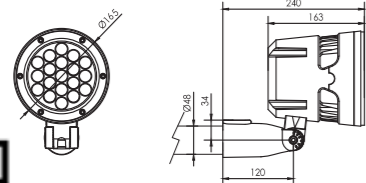
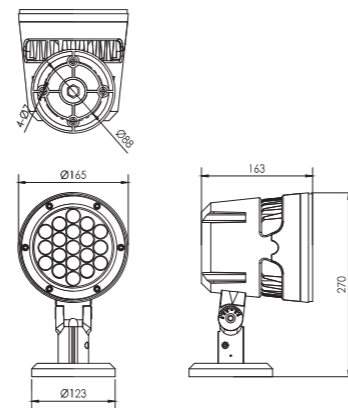
Distribution Curve Flux (SBC Case)

SL1103UB-18

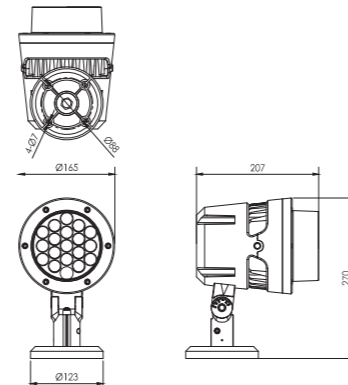


Flood Light Series

MILAN101F



MILAN101M



MILAN101X

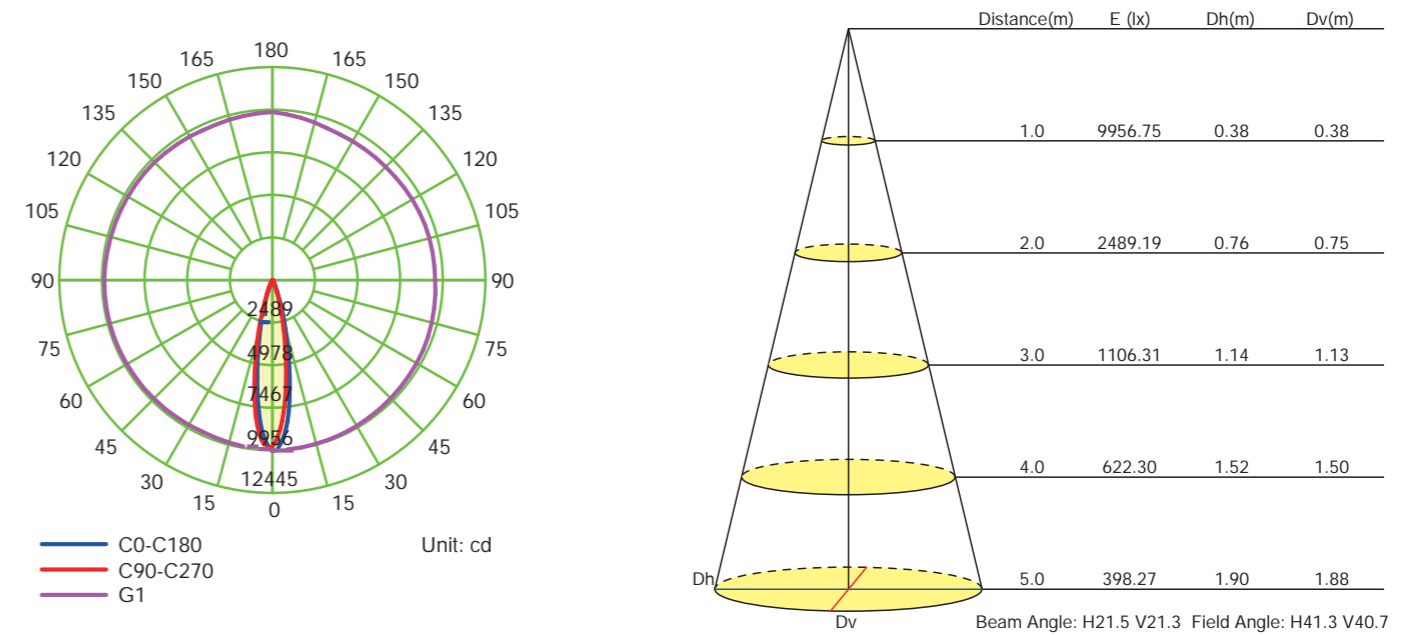


Specification

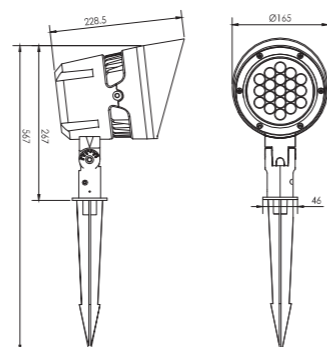
Product Code	SL1103FC-18	SL1103FB-18	SL1103FA-18
LED Brand	CREE XP-G3	CREE	CREE
LED Quantity	18pcs	18pcs	18pcs
Rated Power	45W	30W	21W
Input Voltage	AC100-240V	DC24V/AC100-240V	DC24V/AC100-240V
Frequency Range	50/60Hz	50/60Hz	50/60Hz
Color	Single	RGB/Single	RGB/Single
Beam Angle	5° 8° 12.5° 20° 30° 45° 60° 15X30° 10X60°		
Control Mode	CC	CC	CC
Life	50000H	50000H	50000H
Protection Grade	IP66	IP66	IP66
Ambient Temperature	- 25°C ~ 50°C	- 25°C ~ 50°C	- 25°C ~ 50°C
Ambient Humidity	10% ~ 90%	10% ~ 90%	10% ~ 90%

Distribution Curve Flux (SBC Case)

SL1103FB-18



Flood Light Series MILAN102S

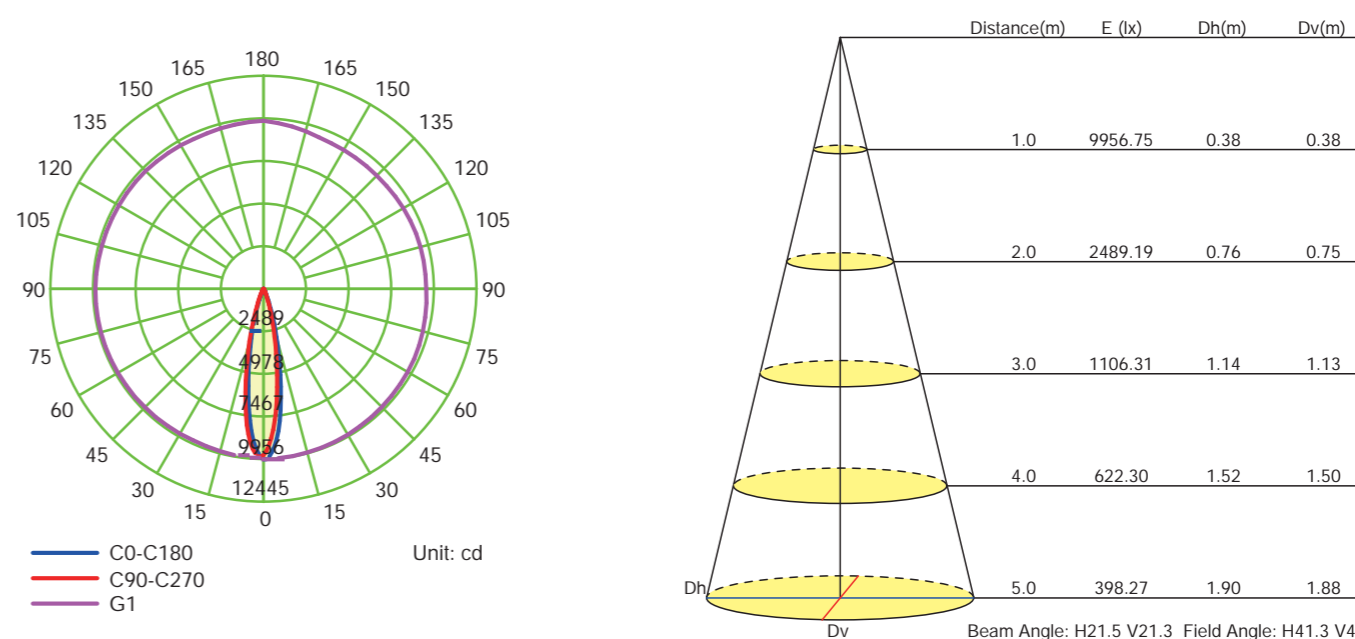


Specification

Product Code	SL1103SC-18	SL1103SB-18	SL1103SA-18
LED Brand	CREE XP-G3	CREE	CREE
LED Quantity	18pcs	18pcs	18pcs
Rated Power	45W	30W	21W
Input Voltage	AC100-240V	DC24V/AC100-240V	DC24V/AC100-240V
Frequency Range	50/60Hz	50/60Hz	50/60Hz
Color	Single	RGB/Single	RGB/Single
Beam Angle	5° 8° 12.5° 20° 30° 45° 60° 15X30° 10X60°		
Control Mode	CC	DMX512/CC	DMX512/CC
Life	50000H	50000H	50000H
Protection Grade	IP66	IP66	IP66
Ambient Temperature	- 25°C ~ 50°C	- 25°C ~ 50°C	- 25°C ~ 50°C
Ambient Humidity	10% ~ 90%°	10% ~ 90%°	10% ~ 90%

Distribution Curve Flux (SBC Case)

SL1103SB-18

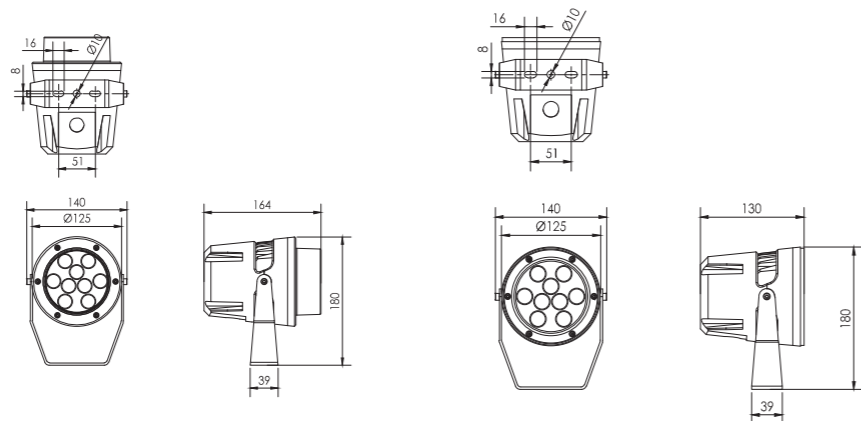


Flood Light Series

MILAN103U



MILAN103G



Product Introduction



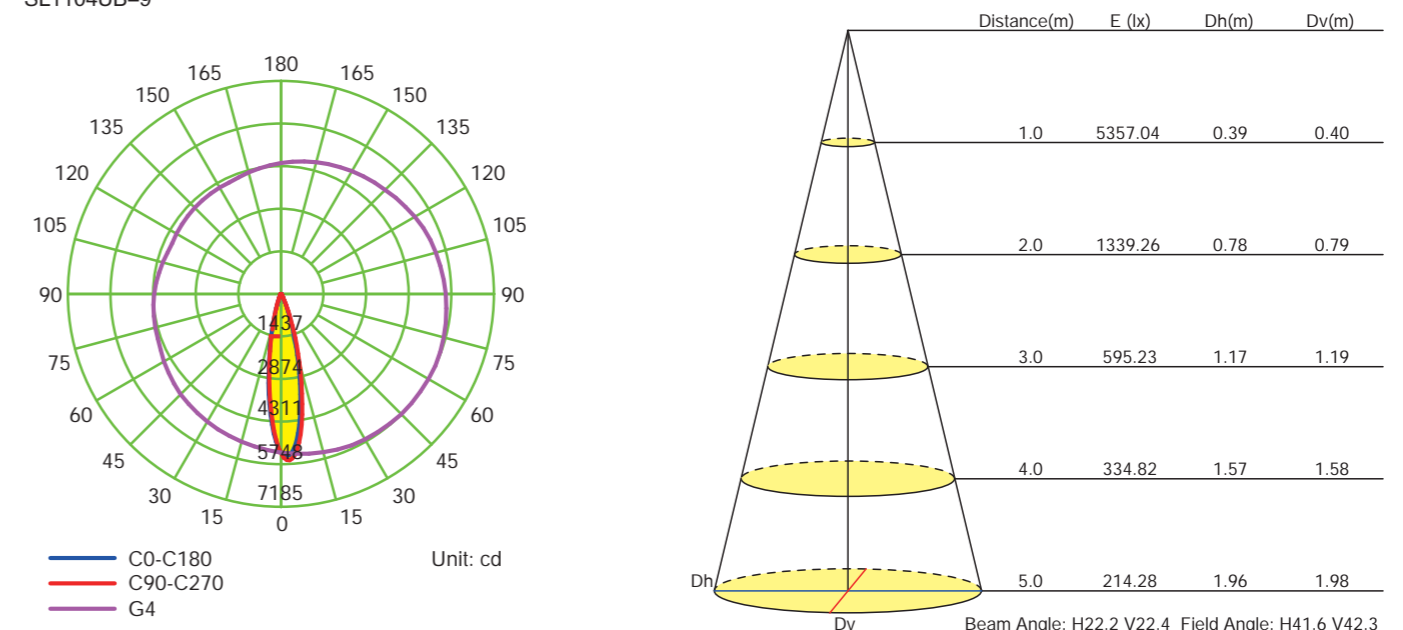
- 1、 Patent owned design, fashion and beautiful appearance, adopt isolated two bodies design could have the separate heat dissipation fully ensure the stability and long lifespan of LED light.
- 2、 With multiway rotate function of round support or "U" support available to meet the various occasions demands for outdoor projects.
- 3、 Light body adopts high pressure die-casting aluminum, surface with electrostatic plastic coating. Lampshade adopts high strength toughened glass, resist the impact and friction.
- 4、 Adopt American CREE original LED light source, high flus output, excellent consistency of light color; Constant current driver with PWM gray control installed inside, RGB gray level reaches to 65,536 degree equally, make the light result much beautiful.
- 5、 Powerful DMX512 interface adopts high reliable bus connect, all has the function of automatic addressing.

Specification

Product Code	SL1104UB-9	SL1104UA-9
LED Brand	CREE	CREE
LED Quantity	9pcs	9pcs
Rated Power	20W	11W
Input Voltage	DC12V/AC100-240V	DC12V/AC100-240V
Frequency Range	50/60Hz	50/60Hz
Color	RGB/Single	RGB/Single
Beam Angle	5° 8° 12.5° 20° 30° 45° 60°	15X30° 10X60°
Control Mode	DMX512/CC	DMX512/CC
Life	50000H	50000H
Protection Grade	IP66	IP66
Ambient Temperature	- 25°C ~ 50°C	- 25°C ~ 50°C
Ambient Humidity	10% ~ 90%	10% ~ 90%

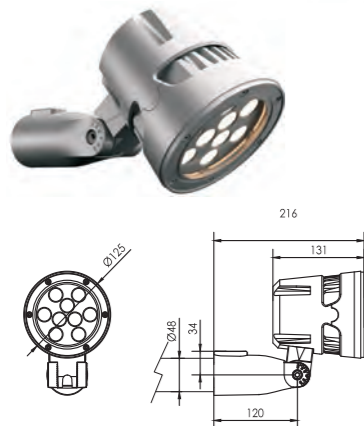
Distribution Curve Flux (SBC Case)

SL1104UB-9



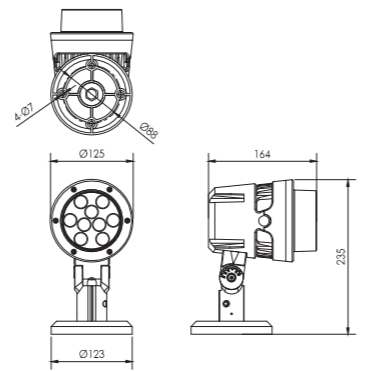
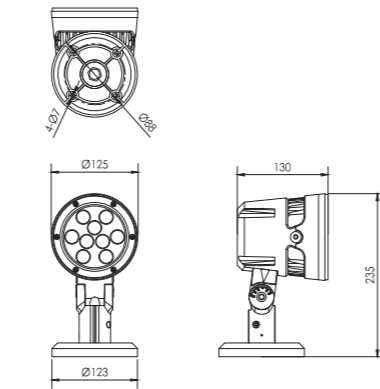
Flood Light Series

MILAN104F



MILAN104M

MILAN104X

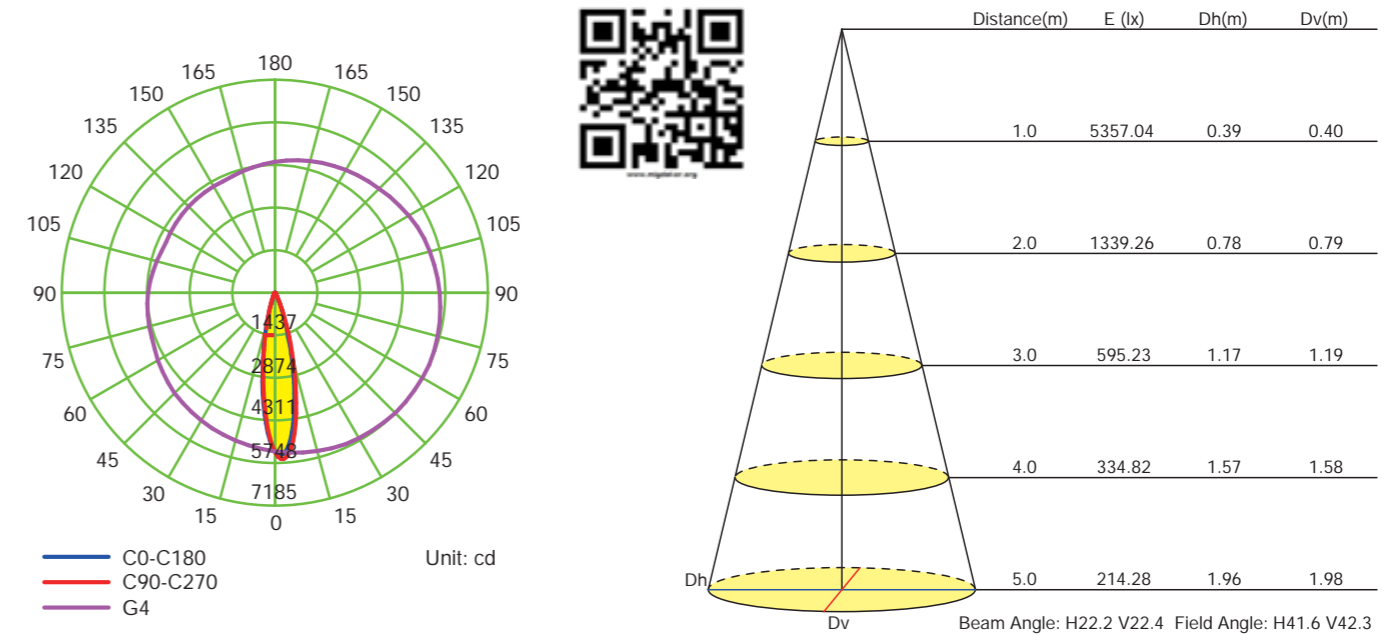


Specification

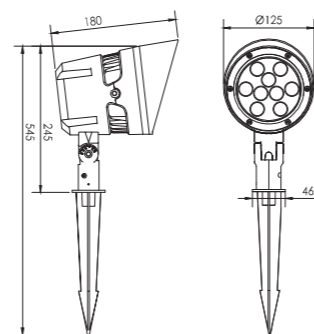
Product Code	SL1104FB-9	SL1104FA-9
LED Brand	CREE	CREE
LED Quantity	9pcs	9pcs
Rated Power	20W	11W
Input Voltage	AC100-240V	AC100-240V
Frequency Range	50/60Hz	50/60Hz
Color	Single	Single
Beam Angle	5° 8° 12.5° 20° 30° 45° 60° 15X30° 10X60°	
Control Mode	CC	CC
Life	50000H	50000H
Protection Grade	IP66	IP66
Ambient Temperature	-25°C ~ 50°C	-25°C ~ 50°C
Ambient Humidity	10% ~ 90%	10% ~ 90%

Distribution Curve Flux (SBC Case)

SL1104FB-9



Flood Light Series MILAN105S

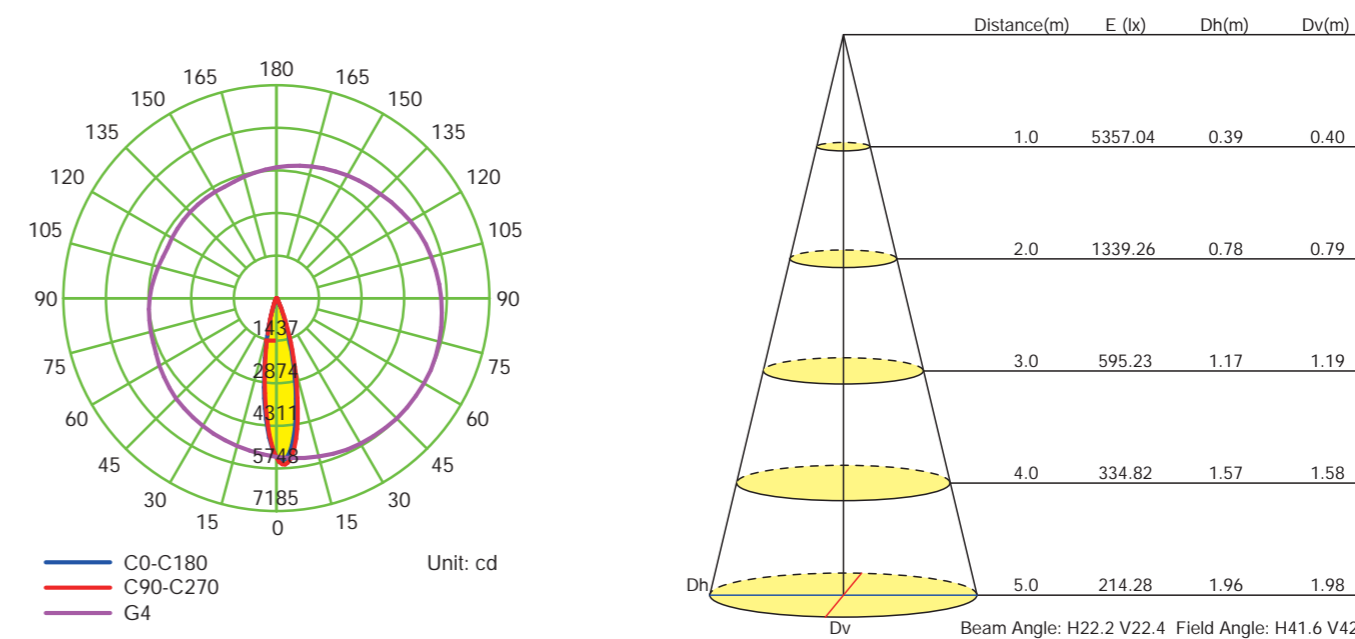


Specification

Product Code	SL1104SB-9	SL1104SA-9
LED Brand	CREE	CREE
LED Quantity	9pcs	9pcs
Rated Power	20W	11W
Input Voltage	AC100-240V	AC100-240V
Frequency Range	50/60Hz	50/60Hz
Color	Single	Single
Beam Angle	5° 8° 12.5° 20° 30° 45° 60° 15X30° 10X60°	
Control Mode	CC	CC
Life	50000H	50000H
Protection Grade	IP66	IP66
Ambient Temperature	- 25°C ~ 50°C	- 25°C ~ 50°C
Ambient Humidity	10% ~ 90%	10% ~ 90%

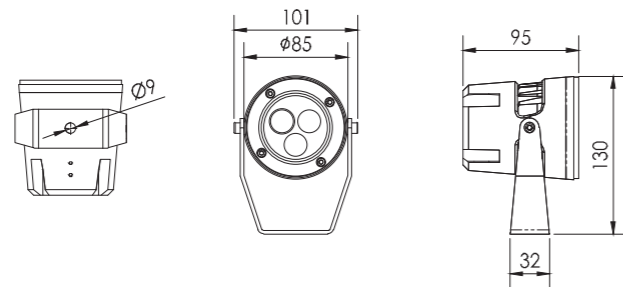
Distribution Curve Flux (SBC Case)

SL1104SB-9



Flood Light Series

MILAN106U



Product Introduction



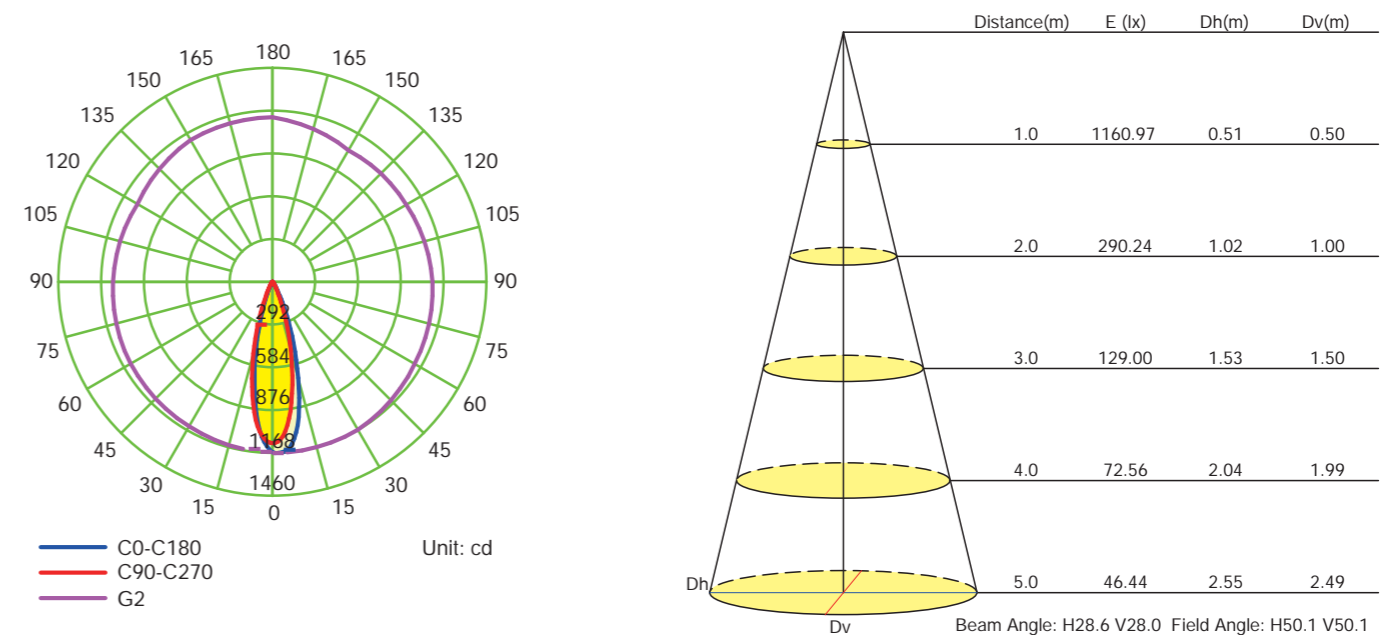
- 1、 Patent owned design, fashion and beautiful appearance, adopt isolated two bodies design could have the separate heat dissipation fully ensure the stability and long lifespan of LED light.
- 2、 With multiway rotate function of round support or "U" support available to meet the various occasions demands for outdoor projects.
- 3、 Light body adopts high pressure die-casting aluminum, surface with electrostatic plastic coating. Lampshade adopts high strength toughened glass, resist the impact and friction.
- 4、 Adopt American CREE original LED light source, high flus output, excellent consistency of light color; Constant current driver with PWM gray control installed inside, RGB gray level reaches to 65,536 degree equally, make the light result much beautiful.
- 5、 Powerful DMX512 interface adopts high reliable bus connect, all has the function of automatic addressing.

Specification

Product Code	SL1105UC-3	SL1105UB-3	SL1105UA-3	SL1105U-C10
LED Brand	CREE	CREE	CREE	CREE
LED Quantity	3pcs	3pcs	3pcs	1pc
Rated Power	8W	6W	3.5W	10W
Input Voltage	DC12V/AC100-240V	DC12V/AC100-240V	DC12V/AC100-240V	DC12V/AC100-240V
Frequency Range	50/60Hz	50/60Hz	50/60Hz	50/60Hz
Color	RGB/Single	RGB/Single	RGB/Single	Single
Beam Angle	5° 8° 12.5° 20° 30° 45° 60° 15X30° 10X60°			25°
Control Mode	DMX512/CC	DMX512/CC	DMX512/CC	DMX512/CC
Life	50000H	50000H	50000H	50000H
Protection Grade	IP66	IP66	IP66	IP66
Ambient Temperature	- 25°C ~ 50°C	- 25°C ~ 50°C	- 25°C ~ 50°C	- 25°C ~ 50°C
Ambient Humidity	10% ~ 90%	10% ~ 90%	10% ~ 90%	10% ~ 90%

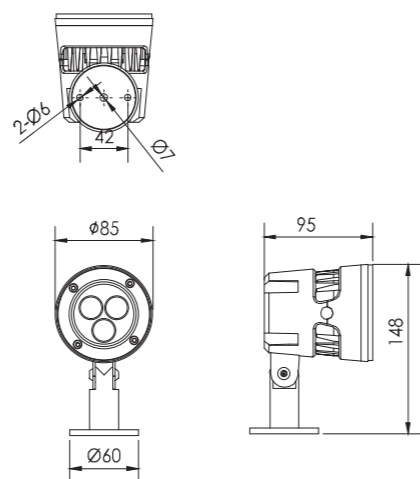
Distribution Curve Flux (SBC Case)

SL1105UB-3



Flood Light Series

MILAN107F

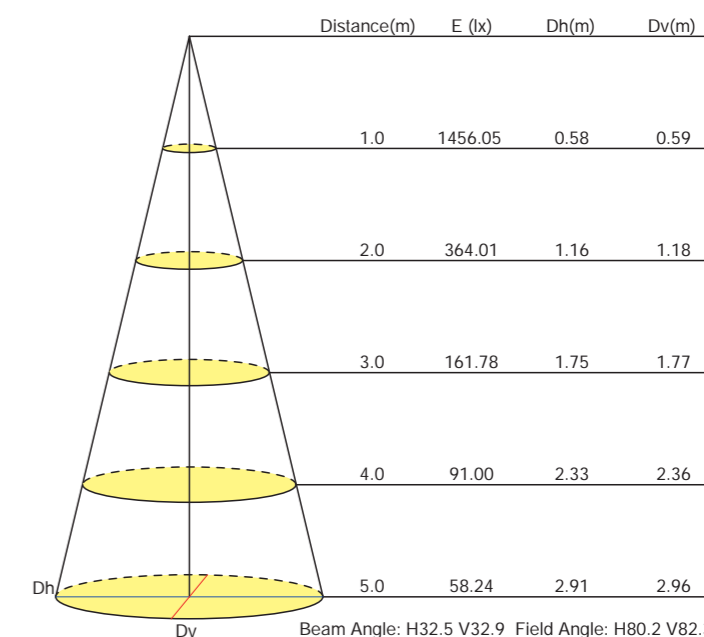
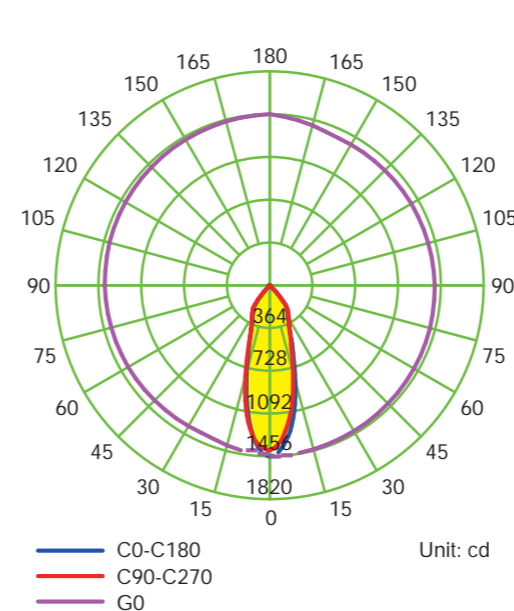


Specification

Product Code	SL1105FC-3	SL1105FB-3	SL1105FA-3	SL1105F-C10
LED Brand	CREE	CREE	CREE	CREE
LED Quantity	3pcs	3pcs	3pcs	1pc
Rated Power	8W	6W	3.5W	10W
Input Voltage	AC100-240V	AC100-240V	AC100-240V	AC100-240V
Frequency Range	50/60Hz	50/60Hz	50/60Hz	50/60Hz
Color	Single	Single	Single	Single
Beam Angle	5° 8° 12.5° 20° 30° 45° 60° 15X30° 10X60°			25°
Control Mode	CC	CC	CC	CC
Life	50000H	50000H	50000H	50000H
Protection Grade	IP66	IP66	IP66	IP66
Ambient Temperature	-25°C ~ 50°C	-25°C ~ 50°C	-25°C ~ 50°C	-25°C ~ 50°C
Ambient Humidity	10% ~ 90%	10% ~ 90%	10% ~ 90%	10% ~ 90%

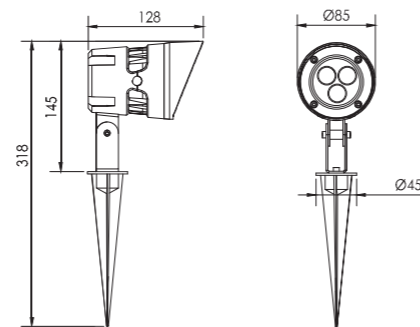
Distribution Curve Flux (SBC Case)

SL1105F-C10



Flood Light Series

MILAN108S

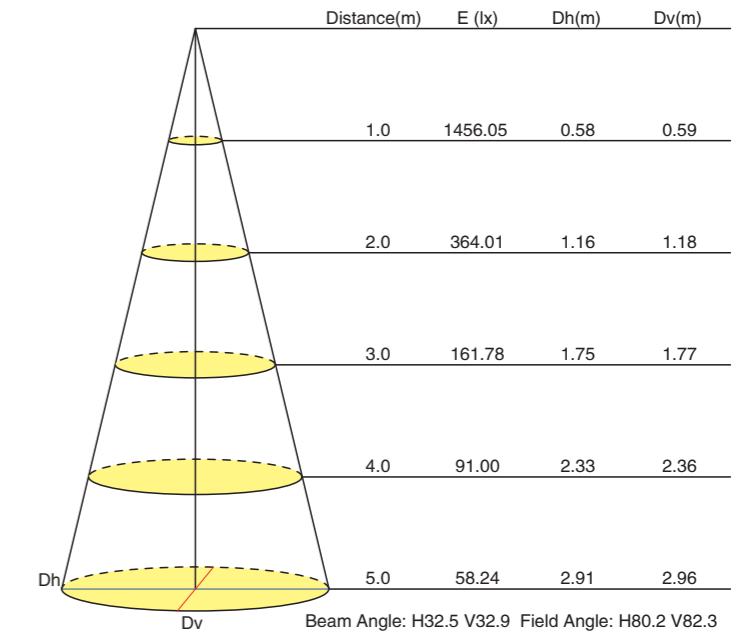
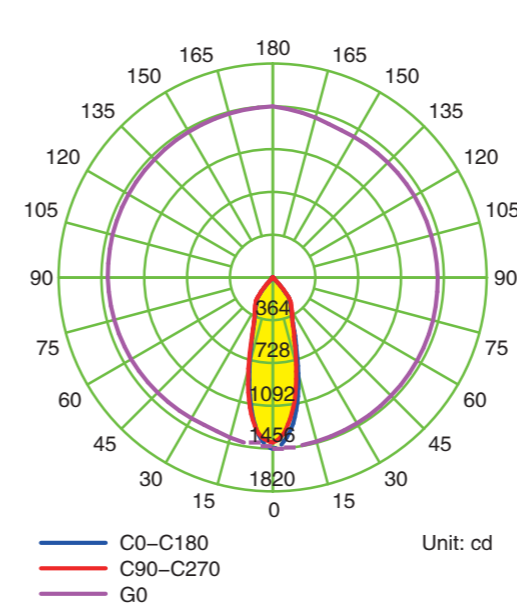


Specification

Product Code	SL1105SC-3	SL1105SB-3	SL1105SA-3	SL1105S-C10
LED Brand	CREE	CREE	CREE	CREE
LED Quantity	3pcs	3pcs	3pcs	1pc
Rated Power	8W	6W	3.5W	10W
Input Voltage	AC100-240V	AC100-240V	AC100-240V	AC100-240V
Frequency Range	50/60Hz	50/60Hz	50/60Hz	50/60Hz
Color	Single	Single	Single	Single
Beam Angle	5° 8° 12.5° 20° 30° 45° 60° 15X30° 10X60°			25°
Control Mode	CC	CC	CC	CC
Life	50000H	50000H	50000H	50000H
Protection Grade	IP66	IP66	IP66	IP66
Ambient Temperature	- 25°C ~ 50°C	- 25°C ~ 50°C	- 25°C ~ 50°C	- 25°C ~ 50°C
Ambient Humidity	10% ~ 90%	10% ~ 90%	10% ~ 90%	10% ~ 90%

Distribution Curve Flux (SBC Case)

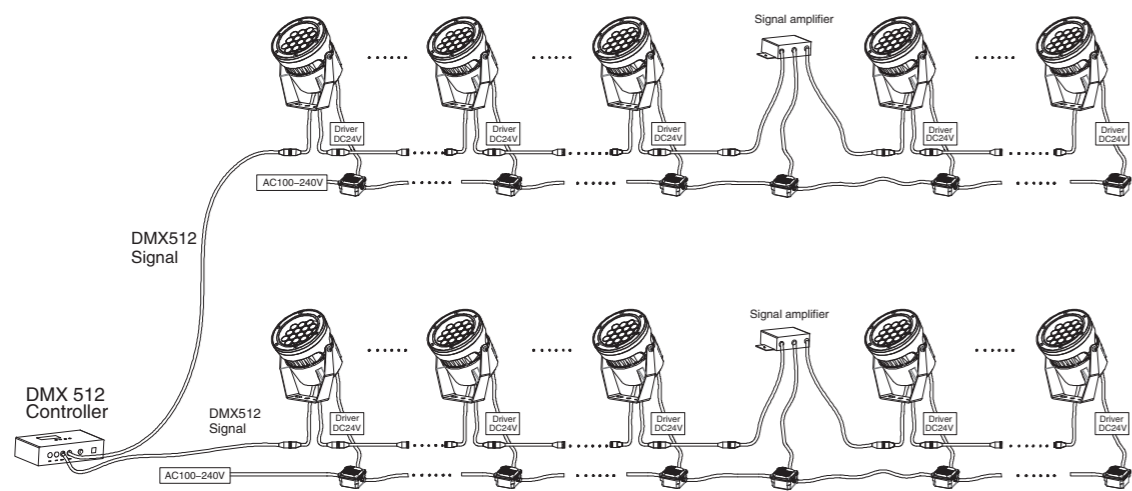
SL1105S-C10



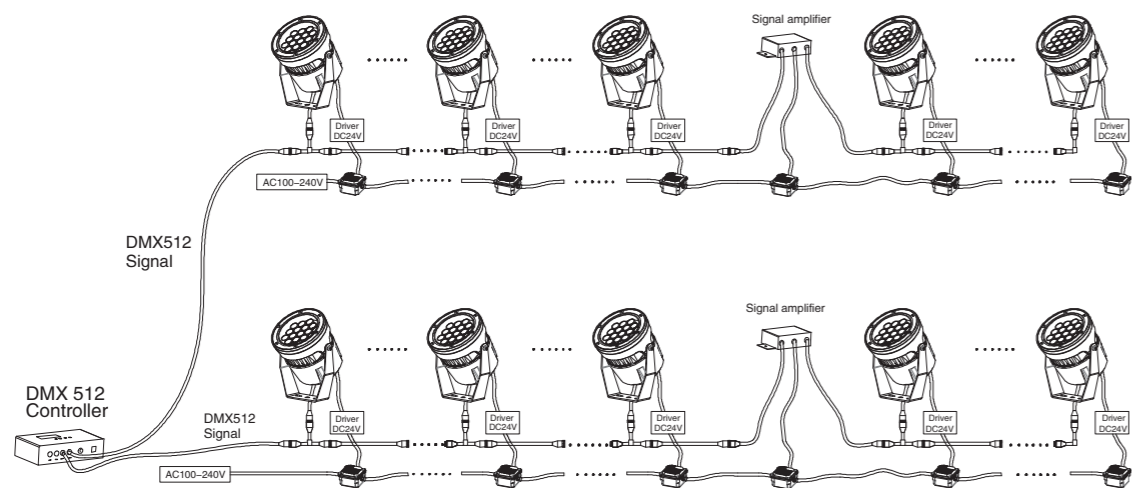
Wiring Diagram



RGB A 型



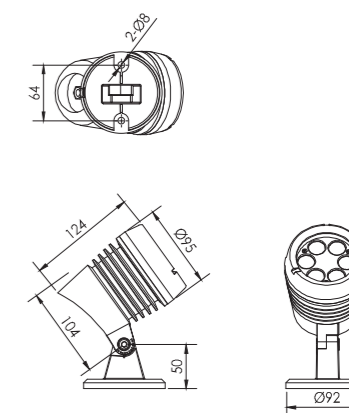
RGB B 型



单色 (Single Color)



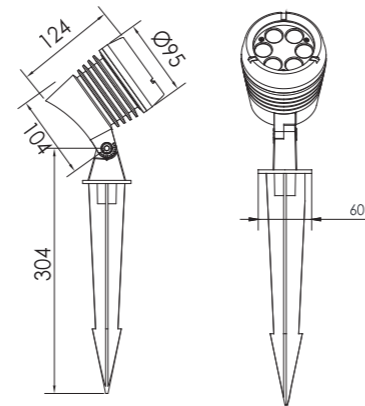
Flood Light Series SL1125F



Specification

Product Code	SL1125FC-7	SL1125FB-6	SL1125FA-6	SL1125F-C12
LED Brand	CREE	CREE	CREE	CREE COB
LED Quantity	7pcs	6pcs	6pcs	1pc
Rated Power	16W	11W	7W	12W
Input Voltage	AC100-240V	AC100-240V	AC100-240V	AC100-240V
Frequency Range	50/60Hz	50/60Hz	50/60Hz	50/60Hz
Color	Single	Single	Single	Single
Beam Angle	5° 8° 12.5° 20° 30° 45° 60° 15X30° 10X60°			15°
Control Mode	CC	CC	CC	CC
Life	50000H	50000H	50000H	50000H
Protection Grade	IP66	IP66	IP66	IP66
Ambient Temperature	-25°C ~ 50°C	-25°C ~ 50°C	-25°C ~ 50°C	-25°C ~ 50°C
Ambient Humidity	10% ~ 90%	10% ~ 90%	10% ~ 90%	10% ~ 90%

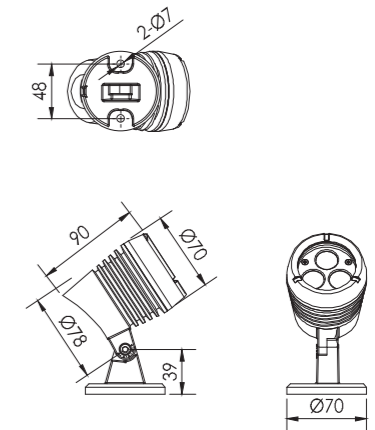
Flood Light Series MILAN109S



Specification

Product Code	SL1125SC-7	SL1125SB-6	SL1125SA-6	SL1125S-C12
LED Brand	CREE	CREE	CREE	CREE COB
LED Quantity	7pcs	6pcs	6pcs	1pc
Rated Power	16W	11W	7W	12W
Input Voltage	AC100-240V	AC100-240V	AC100-240V	AC100-240V
Frequency Range	50/60Hz	50/60Hz	50/60Hz	50/60Hz
Color	Single	Single	Single	Single
Beam Angle	5° 8° 12.5° 20° 30° 45° 60° 15X30° 10X60°			15°
Control Mode	CC	CC	CC	CC
Life	50000H	50000H	50000H	50000H
Protection Grade	IP66	IP66	IP66	IP66
Ambient Temperature	-25°C ~ 50°C	-25°C ~ 50°C	-25°C ~ 50°C	-25°C ~ 50°C
Ambient Humidity	10% ~ 90%	10% ~ 90%	10% ~ 90%	10% ~ 90%

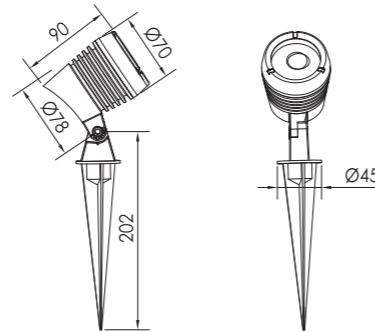
Flood Light Series MILAN109F



Specification

Product Code	SL1126FB-3	SL1126FA-3	SL1126F-C6
LED Brand	CREE	CREE	CREE COB
LED Quantity	3pcs	3pcs	1pc
Rated Power	6W	3.5W	6W
Input Voltage	AC100-240V	AC100-240V	AC100-240V
Frequency Range	50/60Hz	50/60Hz	50/60Hz
Color	Single	Single	Single
Beam Angle	5° 8° 12.5° 20° 30° 45° 60° 15X30° 10X60°		20°
Control Mode	CC	CC	CC
Life	50000H	50000H	50000H
Protection Grade	IP66	IP66	IP66
Ambient Temperature	-25°C ~ 50°C	-25°C ~ 50°C	-25°C ~ 50°C
Ambient Humidity	10% ~ 90%	10% ~ 90%	10% ~ 90%

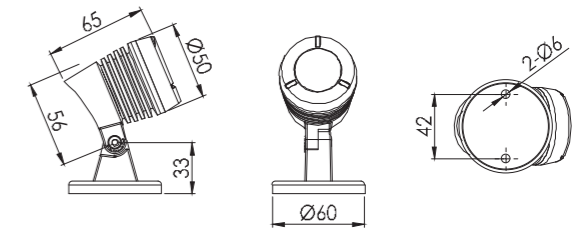
Flood Light Series MILAN110S



Specification

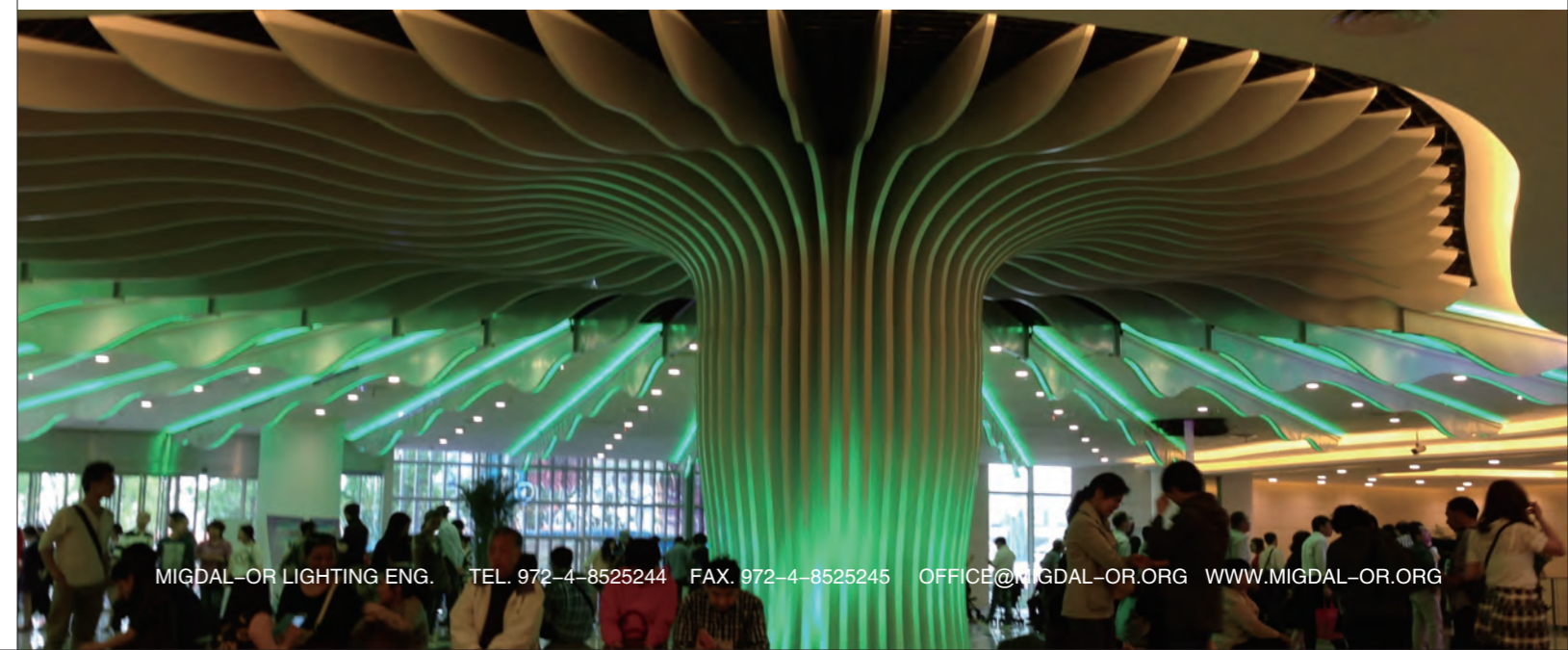
Product Code	SL1126SB-3	SL1126SA-3	SL1126S-C6
LED Brand	CREE	CREE	CREE COB
LED Quantity	3pcs	3pcs	1pc
Rated Power	6W	3.5W	6W
Input Voltage	AC100-240V	AC100-240V	AC100-240V
Frequency Range	50/60Hz	50/60Hz	50/60Hz
Color	Single	Single	Single
Beam Angle	5° 8° 12.5° 20° 30° 45° 60° 15X30° 10X60°		20°
Control Mode	CC	CC	CC
Life	50000H	50000H	50000H
Protection Grade	IP66	IP66	IP66
Ambient Temperature	-25°C ~ 50°C	-25°C ~ 50°C	-25°C ~ 50°C
Ambient Humidity	10% ~ 90%	10% ~ 90%	10% ~ 90%

Flood Light Series MILAN110F

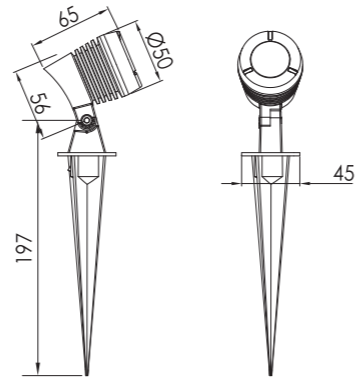


Specification

Product Code	SL1127FC-1	SL1127FA-1
LED Brand	CREE	CREE
LED Quantity	1pc	1pc
Rated Power	3W	1.5W
Input Voltage	AC100-240V/DC24V	AC100-240V/DC24V
Frequency Range	50/60Hz	50/60Hz
Color	Single	Single
Beam Angle	15° 28°	
Control Mode	CC	CC
Life	50000H	50000H
Protection Grade	IP66	IP66
Ambient Temperature	-25°C ~ 50°C	-25°C ~ 50°C
Ambient Humidity	10% ~ 90%	10% ~ 90%



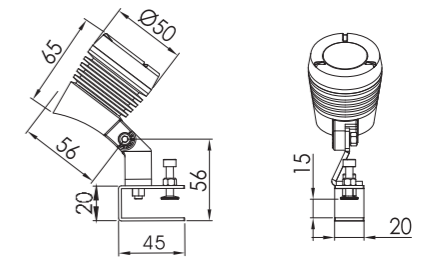
Flood Light Series MILAN111S



Specification

Product Code	SL1127SC-1	SL1127SA-1
LED Brand	CREE	CREE
LED Quantity	1pc	1pc
Rated Power	3W	1.5W
Input Voltage	AC100-240V//DC24V	AC100-240V//DC24V
Frequency Range	50/60Hz	50/60Hz
Color	Single	Single
Beam Angle	15° 28°	
Control Mode	CC	CC
Life	50000H	50000H
Protection Grade	IP66	IP66
Ambient Temperature	- 25°C ~ 50°C	- 25°C ~ 50°C
Ambient Humidity	10% ~ 90%	10% ~ 90%

Flood Light Series MILAN111C



Specification

Product Code	SL1127CC-1	SL1127CA-1
LED Brand	CREE	CREE
LED Quantity	1pc	1pc
Rated Power	3W	1.5W
Input Voltage	AC100-240V//DC24V	AC100-240V//DC24V
Frequency Range	50/60Hz	50/60Hz
Color	Single	Single
Beam Angle	15° 28°	
Control Mode	CC	CC
Life	50000H	50000H
Protection Grade	IP66	IP66
Ambient Temperature	- 25°C ~ 50°C	- 25°C ~ 50°C
Ambient Humidity	10% ~ 90%	10% ~ 90%

