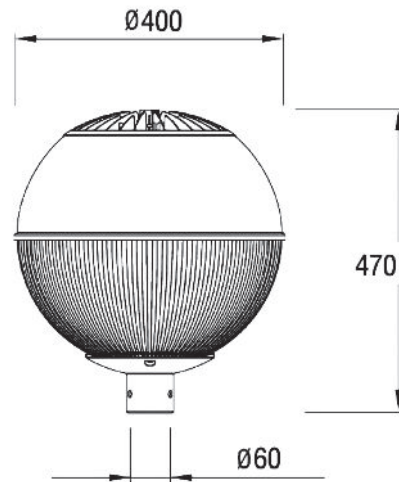


FLORENCE

MG-FLO-LED-011



Specification:

1.LED Quantity:24pcs/48pcs 3535	7.Color Rendering Index: > 70	13.Diffuser:Prismatic PC
2.Power:27W/53W	8.LED Efficiency:70LM/W	14.IP Rate: IP65
3.Input Voltage:100-240V/277V	9.Luminous Flux:1890LM/3710LM	15.Humidity:10%-90%
4.Frequency Range:50-60HZ	10.Work Temperature:-30°C-60°C	16.LED Life: > 50000h
5.Power Factor: > 0.9	11.Installation pole dia:60MM	
6.Color Temperature:2700-6500K	12.Material:Die casting aluminum alloy	

