



# EVO-TP

## Model 2018

## BL-C Series

### CERTIFICATION DATA:

- ETL/cETL/DLC Listed
- IP 65 Housing
- IK 08
- RoHS
- FULL CUT OFF
- TYPE IV/TYP E V

- Patent design.
- Easy installation way .
- Uniquely designed rim on housing focusing light beam.
- Aluminum baking varnish with housing and lamp-standard.
- High Brightness with long life.
- High degree of protection.
- FULL CUT OFF.

### LIGHTING PATTERNS:



www.migdal-or.org

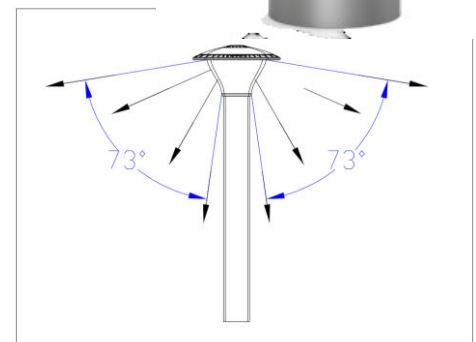
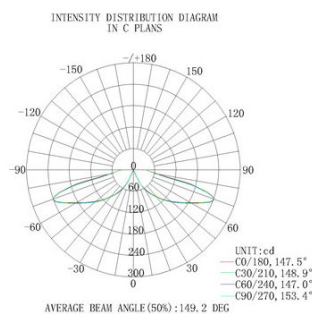
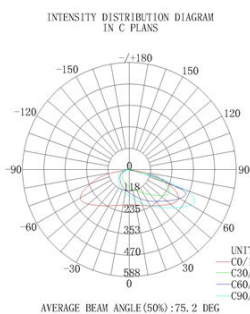
### ENERGY DATA:

- Electronic LED Driver
- >0.9 Power Factor
- <20% Total Harmonic Distortion
- 100-277V 50/60Hz, 347V/60Hz, 480V/60Hz
- 35°C Minimum Temperature
- 50°C Ambient Temperature Rating

-TYPE IV/TYP E V:



2019



[www.Migdal-or.org](http://www.Migdal-or.org)



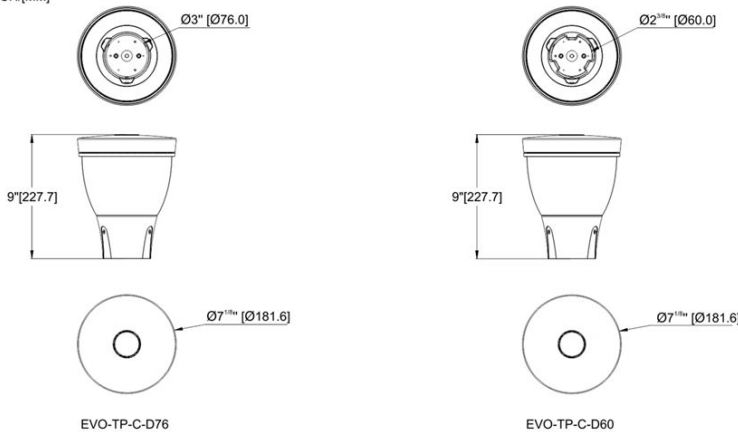
# EVO-TP

## Model 2018

## BL-C Series

	UNIT	EVC-TP-C-W10	EVC-TP-C-W20	EVC-TP-C-W30
Rated Power	V	10	20	30
Input Voltage	V	AC100-277	AC100-277	AC100-277
Frequency Range	Hz	50/60	50/60	50/60
Luminous Flux	lm	900	1800	2700
Color Temperature	K	3000-6500	3000-6500	3000-6500
Protection Grade	...	IP65	IP65	IP65
CRI	...	>70	>70	>70
L70 LIFESPAN	H	>50,000	>50,000	>50,000
Temperature of Working Condition		-35°C~50°C	-35°C~50°C	-35°C~50°C
Humidity of Working Condition		10%~90%	10%~90%	10%~90%
THD	%	<15	<15	<15
Power Factor	...	>0.9	>0.9	>0.9
Lamp Weight-D60	KG	1.9	2	2.1
Lamp Weight-D76	KG	1.8	1.9	2
Packing Size	mm	410x410x315		

DIMENSIONS  
UNIT: INCH/[MM]



www.migdal-or.org

[www.Migdal-or.org](http://www.Migdal-or.org)



# EVO-TP

## Model 2018

## BL-R1 Series



www.migdal-or.org

### CERTIFICATION DATA:

ETL/cETL/DLC Listed

IP 65 Housing

IK 08

RoHS

FULL CUT OFF

TYPE IV/TYP E V

- Patent design.
- Easy installation way .
- Uniquely designed rim on housing focusing light beam.
- Aluminum baking varnish with housing and lamp-standard.
- High Brightness with long life.
- High degree of protection.
- FULL CUT OFF.
- TYPE IV/TYP E V:

### LIGHTING PATTERNS:



### ENERGY DATA:

Electronic LED Driver

>0.9 Power Factor

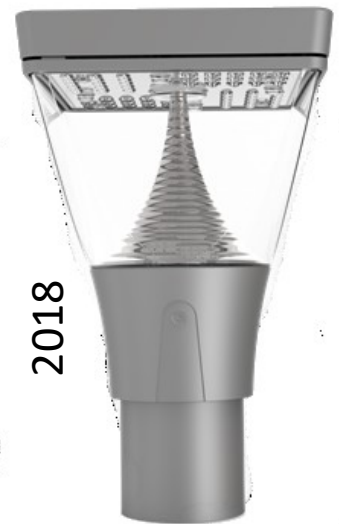
<20% Total Harmonic Distortion

100-277V 50/60Hz, 347V/60Hz,

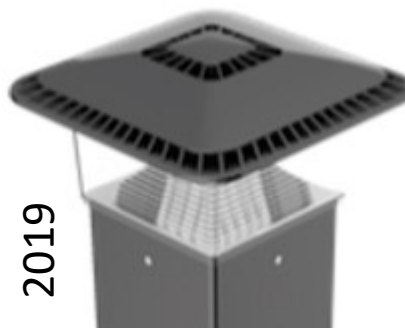
480V/60Hz

-35°C Minimum Temperature

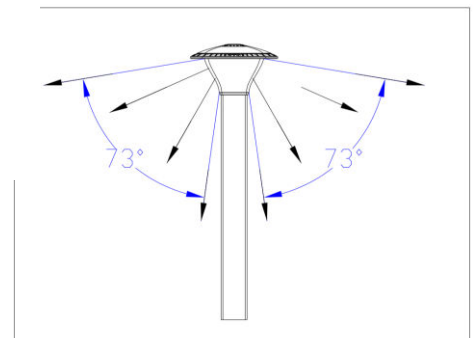
50°C Ambient Temperature Rating



2018



2019



[www.Migdal-or.org](http://www.Migdal-or.org)



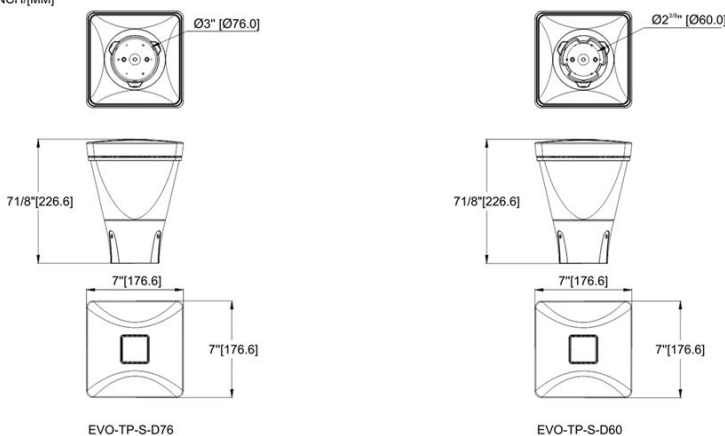
# EVO-TP

## Model 2018

# BL-R1 Series

	UNIT	EV C-TP-S-W10	EV C-TP-S-W20	EV C-TP-S-W30
Rated Power	W	10	20	30
Input Voltage	V	AC100-277	AC100-277	AC100-277
Frequency Range	Hz	50/60	50/60	50/60
Luminous Flux	lm	900	1800	2700
Color Temperature	K	3000-6500	3000-6500	3000-6500
Protection Grade	...	IP65	IP65	IP65
CRI	...	>70	>70	>70
L70 LIFESPAN	H	>50,000	>50,000	>50,000
Temperature of Working Condition		-35°C~50°C	-35°C~50°C	-35°C~50°C
Humidity of Working Condition		10%~90%	10%~90%	10%~90%
THD	%	<15	<15	<15
Power Factor	...	>0.9	>0.9	>0.9
Lamp Weight-D60	KG	1.9	2	2.1
Lamp Weight-D76	KG	1.8	1.9	2
Packing Size	mm	410x410x315		

DIMENSIONS  
UNIT: INCH(MM)



www.migdal-or.org

[www.Migdal-or.org](http://www.Migdal-or.org)

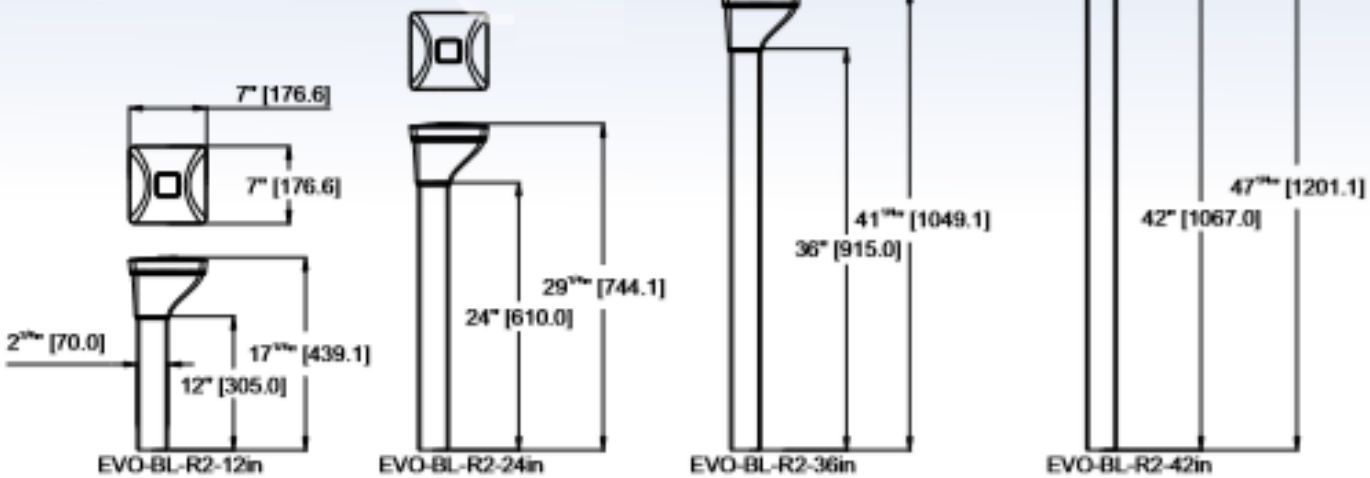
# EVO-TP

Model 2018

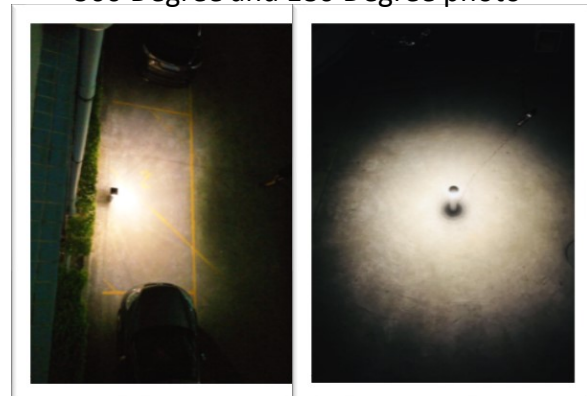
# BL-R2 Series

## • Description

LED bollard with architectural quality and strength at an affordable price point. Rectangular post with square head. Available in 10, 20 and 30 Watt versions that provide 180, 270 and 360 degree lighting patterns. Lamp-post with 4 sizes, 12 inch, 24 inch, 36 inch and 42 inch. Products appearance with 4 kinds of color, Black, White, Grey and Brown.



360 Degree and 180 Degree photo



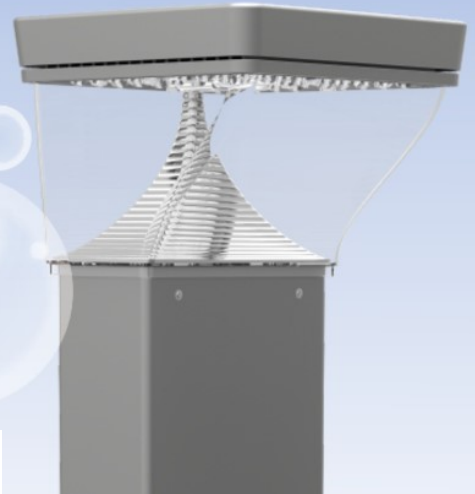
www.migdal-or.org



# EVO-TP

Model 2018

# BL-R2 Series

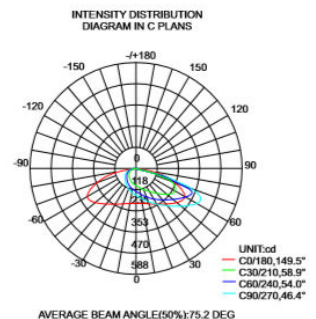
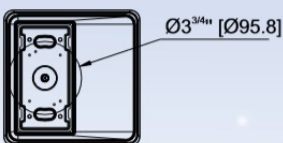


www.migdal-or.org

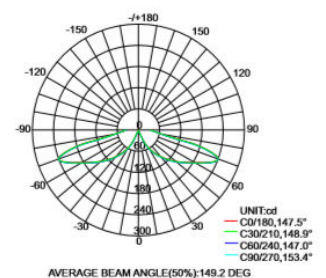
## ● Specification

ITEM	UNIT	EVO-BL-R-W10	EVO-BL-R-W20	EVO-BL-R-W30
Rated Power	W	10	20	30
Input Voltage	V	AC100-277	AC100-277	AC100-277
Frequency Range	Hz	50/60	50/60	50/60
Luminous Flux	lm	900	1800	2700
Color Temperature	K	3000-6500	3000-6500	3000-6500
Proteion Garde	...	IP65	IP65	IP65
CRI	...	>70	>70	>70
L70 LIFESPAN	H	>50,000	>50,000	>50,000
Temperature of Working Condition		-35 ~50	-35 ~50	-35 ~50

BOLLARD BOLT CIRCLE  
UNIT: INCH/[MM]



(TYPE IV)



(TYPE V)

[www.Migdal-or.org](http://www.Migdal-or.org)