

Zeus AS S1/120



Professional LED luminaries ideal for efficiently illuminate building facades, sports fields, advertising signage, retail spaces, parking areas and industrial warehouses. The Zeus series, achieves a high level of lighting performance, making it an effective and efficient alternative to traditional lamps.



Driver Info



Type:	Constant Current
Brand:	Meanwell ® ELG-150
Voltage:	54 V
Rated Current:	2.80 A
Rated Power:	151.20 W
Frequency Range:	47-63 Hz
Efficiency:	>0.95/230 VAC

LED Info



Voltage:	36,3 V
Brand:	Cree ® Xlamp MHD-G
Color Temp:	5000K
Color Accuracy:	>70 CRI
Efficacy Tc=85°:	1590 Lm (700 mA)
Junction Temp.:	150°

General Information

Code	Kelvin	Lumen (Tc=25°)	Watt	Weight
034ZEU125A50S	5000	15,600 Lm	120 W	5.0 Kg

General Characteristics

Power supply	100-277 VAC - 50/60 Hz Meanwell ®
Protection index	IP 66 Dust and protected from water jet proof.
Power factor	95%
Ballast	Electronic ballast
Insulation class	I

LED Characteristics

Technology	LED
LED type	Cree ® MHDGWT-0000-00N0BN250E
CRI (Ra)	> 70
Life time estimated L70	> 100.000 h
Color temperature	5,000 K
3-step MacAdam ellipse	Center point x,y (0.3447 , 0.3553)

Construction

Material body	Aluminum extruded
Glass	Temperated transparent glass 5 mm
Gaskets	High-temperature silicone gaskets
Installation	Adjustable bracket installation
Operating temperature	-4° F / 104° F (-20° C / +40° C)

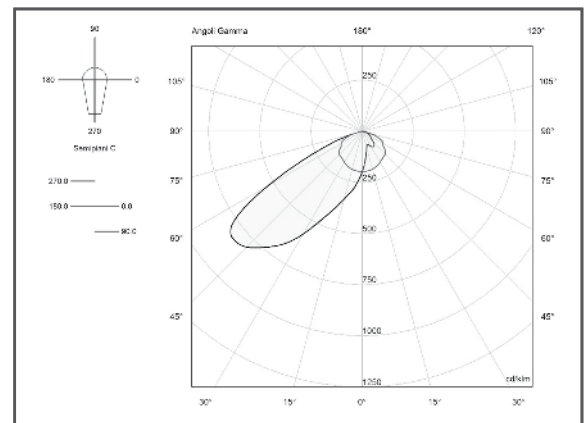
Optics Characteristics

Light diffusion	Direct light
Optics type	Ledil ® Asymmetrical lens
Optics angle	Asymmetrical 55° beam angle

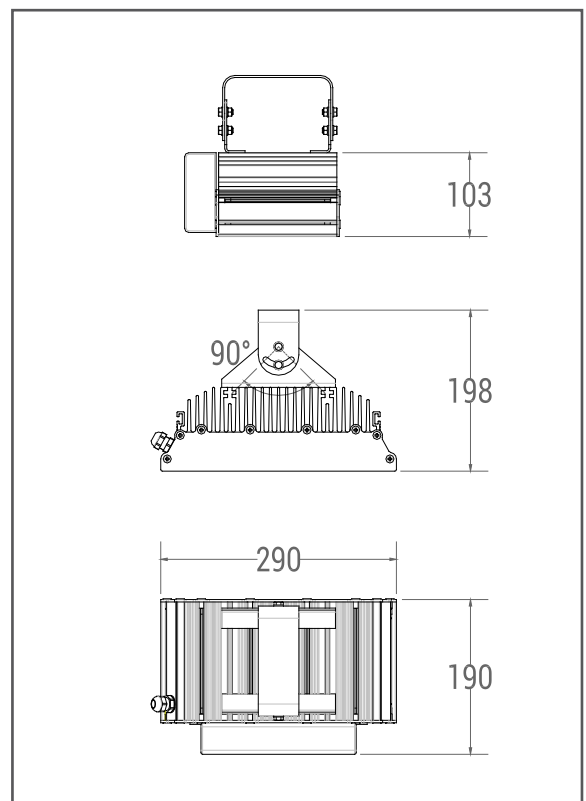
Other

Warranty	3 years
	Mercury and UV free, RoHS compliant

Light Curve



Technical Drawing



Made in Gmax Italia headquarter
Via G. Donizetti 5 - 20090 - Assago MI - Italy
www.gmaxitaliasrl.it

Professional LED luminaries ideal for efficiently illuminate building facades, sports fields, advertising signage, retail spaces, parking areas and industrial warehouses. The Zeus series, achieves a high level of lighting performance, making it an effective and efficient alternative to traditional lamps.



Driver Info



Type: Brand: 115V: Constant Current
 230V: Meanwell ®
 277V: 4.00A
 Input Watts: Efficiency: 2.00A
 1.20A
 250W
 93.5%

LED Info



Voltage: 36,3 V
 Brand: Cree ® Xlamp MHD-G
 Color Temp: 5000K
 Color Accuracy: >70 CRI
 Efficacy Tc=85°: 1590 Lm (700 mA)
 Junction Temp.: 150°

General Information

Code	Kelvin	Lumen (Tc=25°)	Watt	Weight
034ZEU250A50S	5000	31,200 Lm	240 W	10.0 Kg

General Characteristics

Power supply	100-277 VAC - 50/60 Hz Meanwell ®
Protection index	IP 66 Dust and protected from water jet proof.
Power factor	95%
Ballast	Electronic ballast
Insulation class	I

LED Characteristics

Tecnology	LED
LED type	Cree ® MHDGWT-0000-00N0BN250E
CRI (Ra)	> 70
Life time estimated L70	> 100.000 h
Color temperature	5,000 K
3-step MacAdam ellipse	Center point x,y (0.3447 , 0.3553)

Construction

Material body	Aluminum extruded
Glass	Temperated transparent glass 5 mm
Gaskets	High-temperature silicone gaskets
Installation	Adjustable bracket installation
Operating temperature	-4° F / 104° F (-20° C / +40° C)

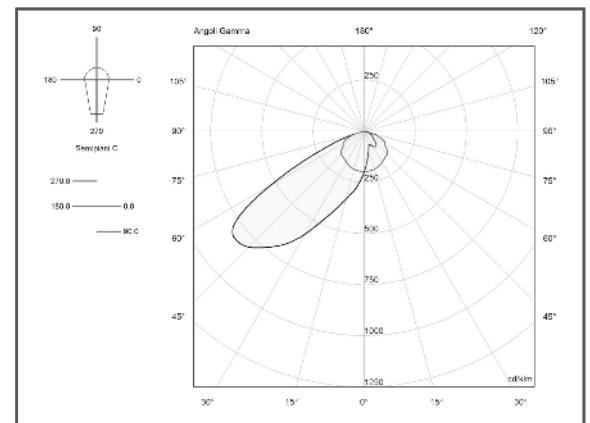
Optics Characteristics

Light diffusion	Direct light
Optics type	Ledil ® Asymmetrical lens
Optics angle	Asymmetrical 55° beam angle

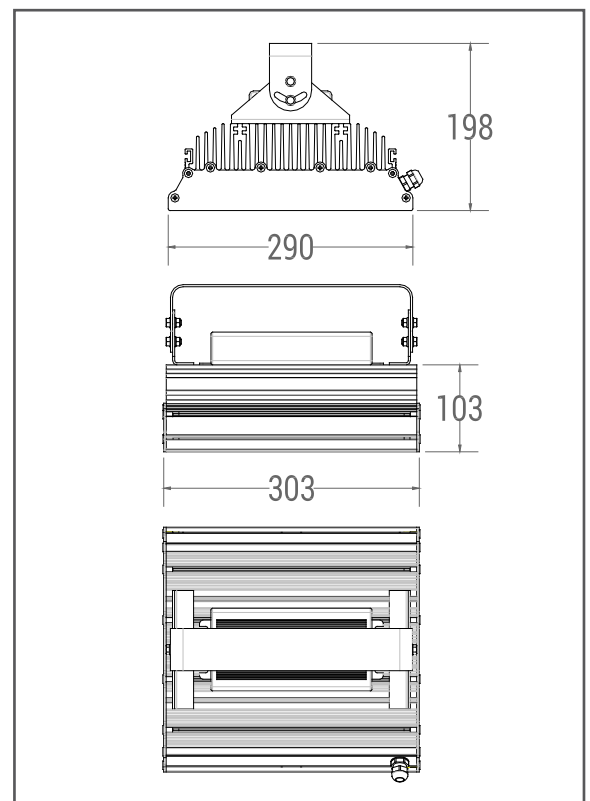
Other

Warranty	3 years
	Mercury and UV free, RoHS compliant

Light Curve



Technical Drawing



CE RoHS

Zeus AS S3/480



Professional LED luminaries ideal for efficiently illuminate building facades, sports fields, advertising signage, retail spaces, parking areas and industrial warehouses. The Zeus series, achieves a high level of lighting performance, making it an effective and efficient alternative to traditional lamps.



Driver Info



Type: Brand: 115V: Constant Current
 230V: Meanwell ®
 277V: 4.00A
 Input Watts: Efficiency: 2.00A
 1.20A
 480W
 93.5%

LED Info



Voltage: 36,3 V
 Brand: Cree ® Xlamp MHD-G
 Color Temp: 5000K
 Color Accuracy: >70 CRI
 Efficacy Tc=85°: 1590 Lm (700 mA)
 Junction Temp.: 150°

General Information

Code	Kelvin	Lumen (Tc=25°)	Watt	Weight
034ZEU500A50S	5000	62,400 Lm	480 W	20.0 Kg

General Characteristics

Power supply	100-277 VAC - 50/60 Hz Meanwell ®
Protection index	IP 66 Dust and protected from water jet proof.
Power factor	95%
Ballast	Electronic ballast
Insulation class	I

LED Characteristics

Tecnology	LED
LED type	Cree ® MHDGWT-0000-00N0BN250E
CRI (Ra)	> 70
Life time estimated L70	> 100.000 h
Color temperature	5,000 K
3-step MacAdam ellipse	Center point x,y (0.3447 , 0.3553)

Construction

Material body	Aluminum extruded
Glass	Temperated trasparent glass 5 mm
Gaskets	High-temperature silicone gaskets
Installation	Adjustable bracket installation
Operating temperature	-4° F / 104° F (-20° C / +40° C)

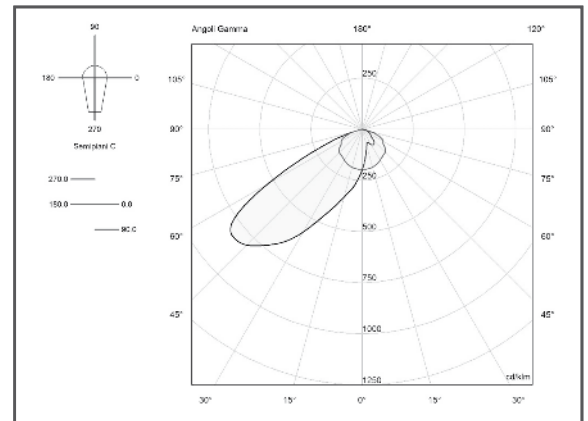
Optics Characteristics

Light diffusion	Direct light
Optics type	Ledil ® Asymmetrical lens
Optics angle	Asymmetrical 55° beam angle

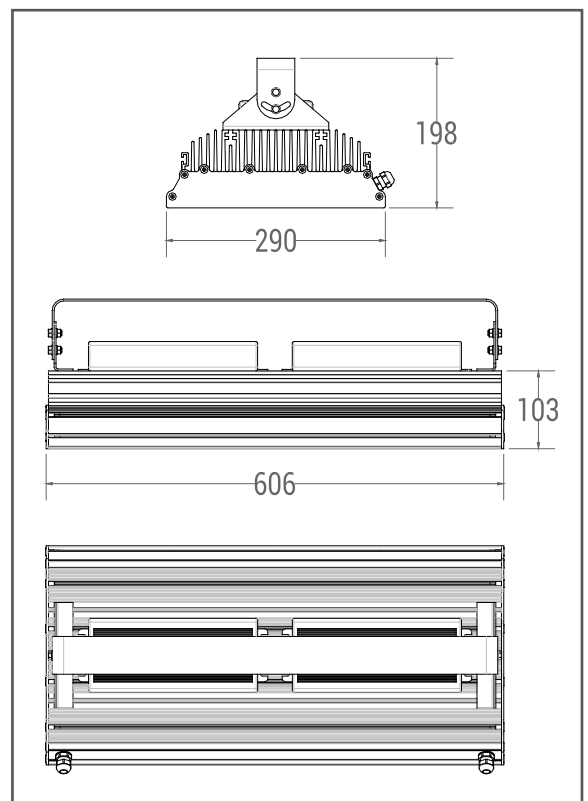
Other

Warranty	3 years
	Mercury and UV free, RoHS compliant

Light Curve



Technical Drawing



Made in Gmax Italia headquarter
 Via G. Donizetti 5 - 20090 - Assago MI - Italy
 www.gmaxitaliasrl.it

Zeus BW S1/120



Professional LED luminaries ideal for efficiently illuminate building facades, sports fields, advertising signage, retail spaces, parking areas and industrial warehouses. The Zeus series, achieves a high level of lighting performance, making it an effective and efficient alternative to traditional lamps.



Driver Info



Type:	Constant Current
Brand:	Meanwell ® ELG-150
Voltage:	54 V
Rated Current:	2.80 A
Rated Power:	151.20 W
Frequency Range:	47-63 Hz
Efficiency:	>0.95/230 VAC

LED Info



Voltage:	36,3 V
Brand:	Cree ® Xlamp MHD-G
Color Temp:	5000K
Color Accuracy:	>70 CRI
Efficacy Tc=85°:	1590 Lm (700 mA)
Junction Temp.:	150°

General Information

Code	Kelvin	Lumen (Tc=25°)	Watt	Weight
034ZEU125B50S	5000	15,600 Lm	120 W	5.0 Kg

General Characteristics

Power supply	100-277 VAC - 50/60 Hz Meanwell ®
Protection index	IP 66 Dust and protected from water jet proof.
Power factor	95%
Ballast	Electronic ballast
Insulation class	I

LED Characteristics

Technology	LED
LED type	Cree ® MHDGWT-0000-00N0BN250E
CRI (Ra)	> 70
Life time estimated L70	> 100.000 h
Color temperature	5,000 K
3-step MacAdam ellipse	Center point x,y (0.3447 , 0.3553)

Construction

Material body	Aluminum extruded
Glass	Temperated transparent glass 5 mm
Gaskets	High-temperature silicone gaskets
Installation	Adjustable bracket installation
Operating temperature	-4° F / 104° F (-20° C / +40° C)

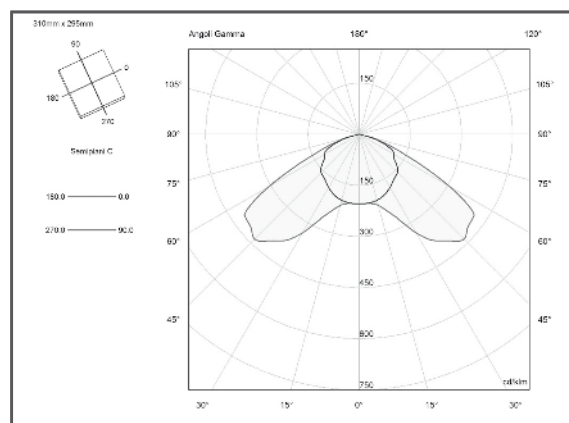
Optics Characteristics

Light diffusion	Direct light
Optics type	Ledil ® Asymmetrical lens
Optics angle	Double-asymmetrical 120° beam angle

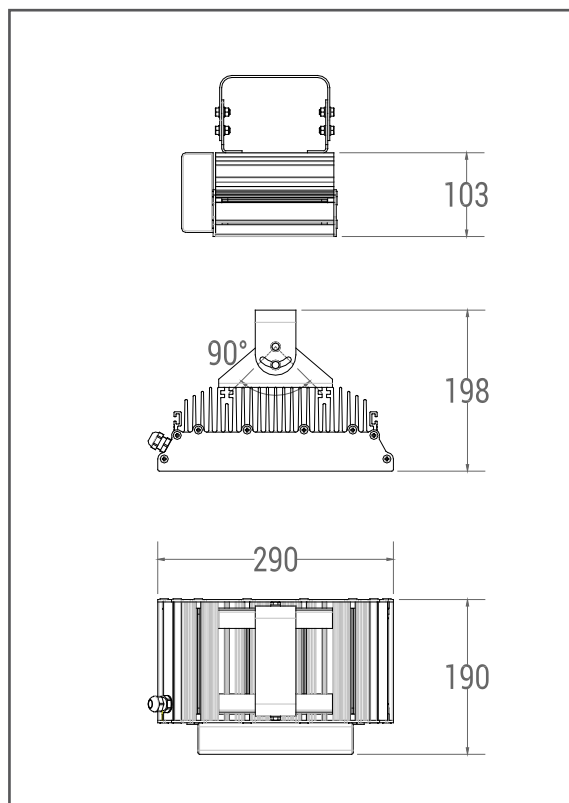
Other

Warranty	3 years
	Mercury and UV free, RoHS compliant

Light Curve



Technical Drawing



Made in Gmax Italia headquarter
Via G. Donizetti 5 - 20090 - Assago MI - Italy
www.gmaxitaliasrl.it

Migdal-or Lighting Eng Tel. 04-8525244 Fax. 04-8525245 office@migdal-or.org www.migdal-or.org

The specifications are subject to change without notice.

Zeus BW S2/240



Professional LED luminaries ideal for efficiently illuminate building facades, sports fields, advertising signage, retail spaces, parking areas and industrial warehouses. The Zeus series, achieves a high level of lighting performance, making it an effective and efficient alternative to traditional lamps.



Driver Info



Type: Brand: 115V: Constant Current
 230V: Meanwell ®
 277V: 4.00A
 Input Watts: Efficiency: 2.00A
 1.20A
 250W
 93.5%

LED Info



Voltage: 36,3 V
 Brand: Cree ® Xlamp MHD-G
 Color Temp: 5000K
 Color Accuracy: >70 CRI
 Efficacy Tc=85°: 1590 Lm (700 mA)
 Junction Temp.: 150°

General Information

Code	Kelvin	Lumen (Tc=25°)	Watt	Weight
034ZEU250B50S	5000	31,200 Lm	240 W	10.0 Kg

General Characteristics

Power supply	100-277 VAC - 50/60 Hz Meanwell ®
Protection index	IP 66 Dust and protected from water jet proof.
Power factor	95%
Ballast	Electronic ballast
Insulation class	I

LED Characteristics

Tecnology	LED
LED type	Cree ® MHDGWT-0000-00N0BN250E
CRI (Ra)	> 70
Life time estimated L70	> 100.000 h
Color temperature	5,000 K
3-step MacAdam ellipse	Center point x,y (0.3447 , 0.3553)

Construction

Material body	Aluminum extruded
Glass	Temperated trasparent glass 5 mm
Gaskets	High-temperature silicone gaskets
Installation	Adjustable bracket installation
Operating temperature	-4° F / 104° F (-20° C / +40° C)

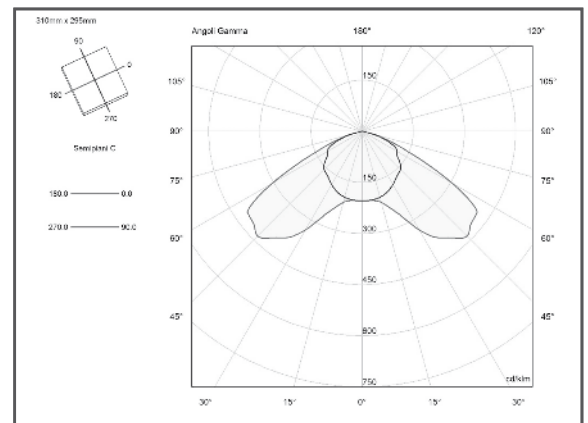
Optics Characteristics

Light diffusion	Direct light
Optics type	Ledil ® Asymmetrical lens
Optics angle	Double-asymmetrical 120° beam angle

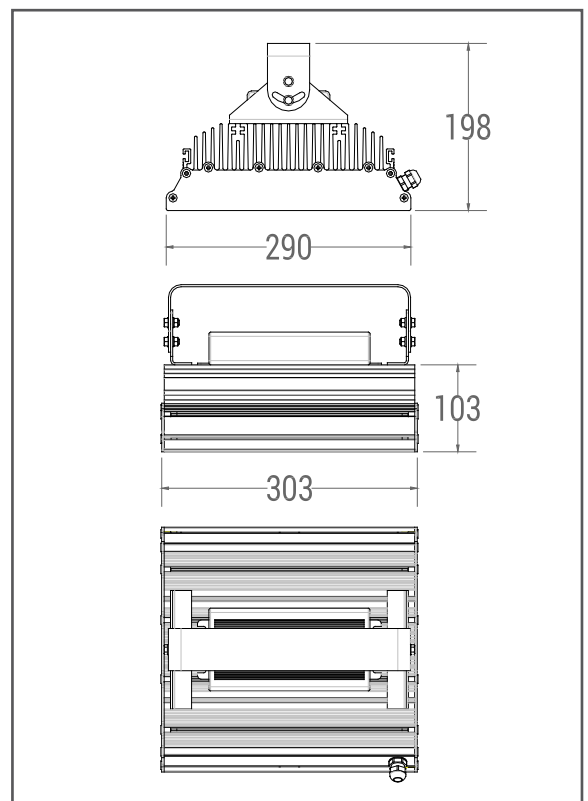
Other

Warranty	3 years
	Mercury and UV free, RoHS compliant

Light Curve



Technical Drawing



Made in Gmax Italia headquarter
 Via G. Donizetti 5 - 20090 - Assago MI - Italy
 www.gmaxitaliasrl.it

Migdal-or Lighting Eng Tel. 04-8525244 Fax. 04-8525245 office@migdal-or.org www.migdal-or.org

The specifications are subject to change without notice.

Zeus BW S3/480



Professional LED luminaries ideal for efficiently illuminate building facades, sports fields, advertising signage, retail spaces, parking areas and industrial warehouses. The Zeus series, achieves a high level of lighting performance, making it an effective and efficient alternative to traditional lamps.

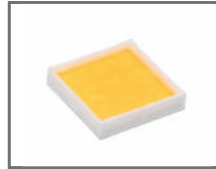


Driver Info



Type: Brand: 115V: Constant Current
 230V: Meanwell ®
 277V: 4.00A
 Input Watts: Efficiency: 2.00A
 1.20A
 480W
 93.5%

LED Info



Voltage: 36,3 V
 Brand: Cree ® Xlamp MHD-G
 Color Temp: 5000K
 Color Accuracy: >70 CRI
 Efficacy Tc=85°: 1590 Lm (700 mA)
 Junction Temp.: 150°

General Information

Code	Kelvin	Lumen (Tc=25°)	Watt	Weight
034ZEU500B50S	5000	62,400 Lm	480 W	20.0 Kg

General Characteristics

Power supply	100-277 VAC - 50/60 Hz Meanwell ®
Protection index	IP 66 Dust and protected from water jet proof.
Power factor	95%
Ballast	Electronic ballast
Insulation class	I

LED Characteristics

Tecnology	LED
LED type	Cree ® MHDGWT-0000-00N0BN250E
CRI (Ra)	> 70
Life time estimated L70	> 100.000 h
Color temperature	5,000 K
3-step MacAdam ellipse	Center point x,y (0.3447 , 0.3553)

Construction

Material body	Aluminum extruded
Glass	Temperated trasparent glass 5 mm
Gaskets	High-temperature silicone gaskets
Installation	Adjustable bracket installation
Operating temperature	-4° F / 104° F (-20° C / +40° C)

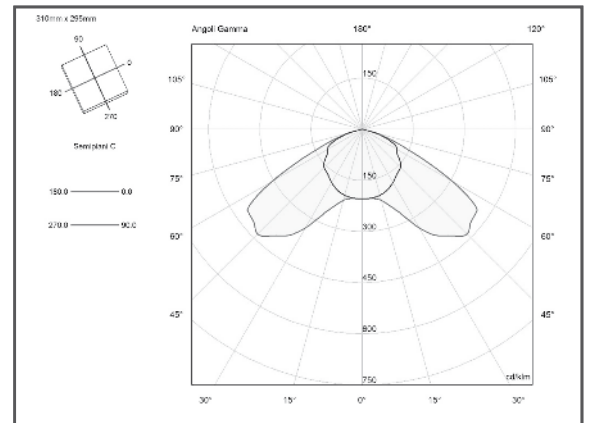
Optics Characteristics

Light diffusion	Direct light
Optics type	Ledil ® Asymmetrical lens
Optics angle	Double-asymmetrical 120° beam angle

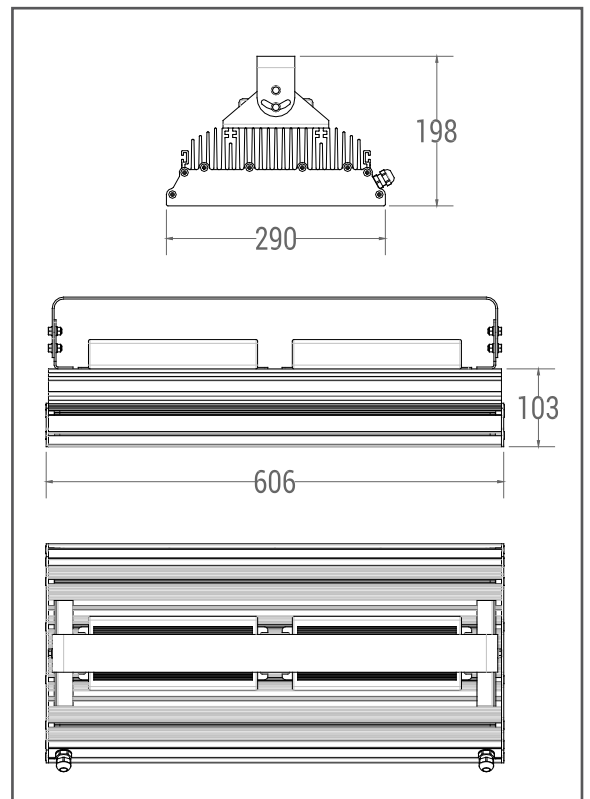
Other

Warranty	3 years
	Mercury and UV free, RoHS compliant

Light Curve



Technical Drawing

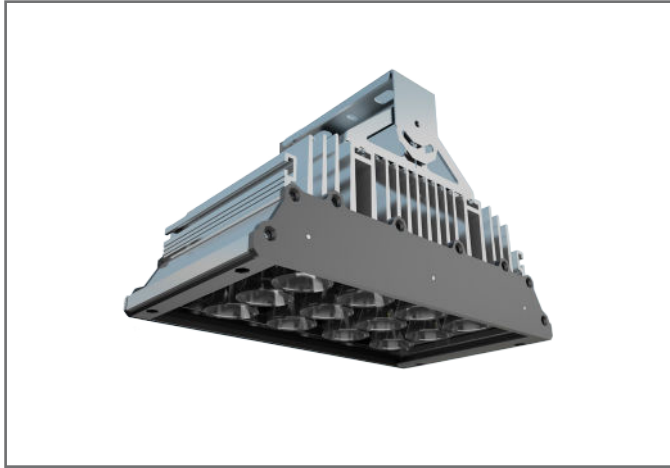


Made in Gmax Italia headquarter
 Via G. Donizetti 5 - 20090 - Assago MI - Italy
 www.gmaxitaliasrl.it

Zeus FL S1/120



Professional LED luminaries ideal for efficiently illuminate building facades, sports fields, advertising signage, retail spaces, parking areas and industrial warehouses. The Zeus series, achieves a high level of lighting performance, making it an effective and efficient alternative to traditional lamps.

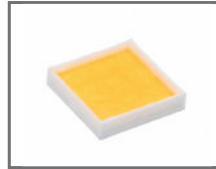


Driver Info



Type:	Constant Current
Brand:	Meanwell ® ELG-150
Voltage:	54 V
Rated Current:	2.80 A
Rated Power:	151.20 W
Frequency Range:	47-63 Hz
Efficiency:	>0.95/230 VAC

LED Info



Voltage:	36,3 V
Brand:	Cree ® Xlamp MHD-G
Color Temp:	5000K
Color Accuracy:	>70 CRI
Efficacy Tc=85°:	1590 Lm (700 mA)
Junction Temp.:	150°

General Information

Code	Kelvin	Lumen (Tc=25°)	Watt	Weight
034ZEU125W50S	5000	15,600 Lm	120 W	5.0 Kg

General Characteristics

Power supply	100-277 VAC - 50/60 Hz Meanwell ®
Protection index	IP 66 Dust and protected from water jet proof.
Power factor	95%
Ballast	Electronic ballast
Insulation class	I

LED Characteristics

Tecnology	LED
LED type	Cree ® MHDGWT-0000-00N0BN250E
CRI (Ra)	> 70
Life time estimated L70	> 100.000 h
Color temperature	5,000 K
3-step MacAdam ellipse	Center point x,y (0.3447 , 0.3553)

Construction

Material body	Aluminum extruded
Glass	Temperated trasparent glass 5 mm
Gaskets	High-temperature silicone gaskets
Installation	Adjustable bracket installation
Operating temperature	-4° F / 104° F (-20° C / +40° C)

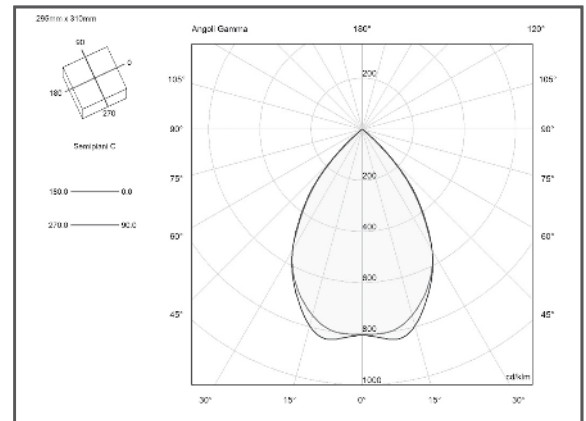
Optics Characteristics

Light diffusion	Direct light
Optics type	Khatod ® Symmetrical lens
Optics angle	Symmetrical 55° beam angle

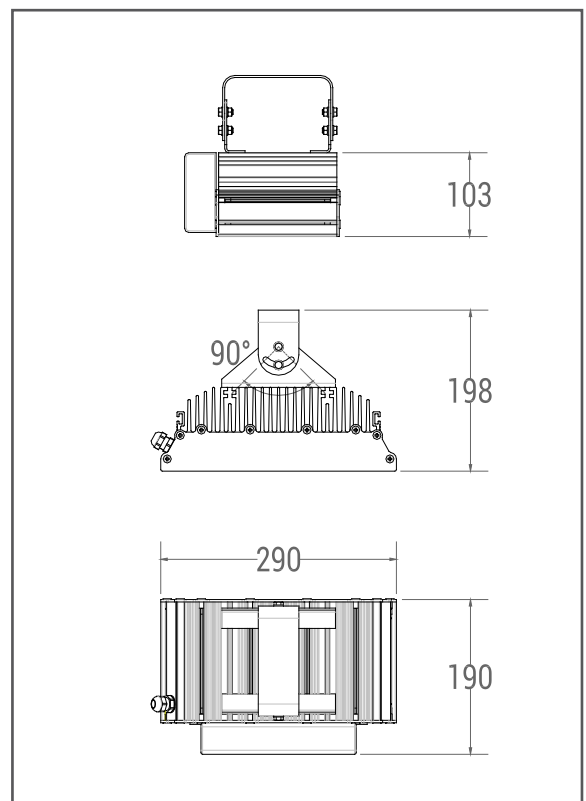
Other

Warranty	3 years
	Mercury and UV free, RoHS compliant

Light Curve



Technical Drawing



Made in Gmax Italia headquarter
Via G. Donizetti 5 - 20090 - Assago MI - Italy
www.gmaxitaliasrl.it

Zeus FL S2/240



Professional LED luminaries ideal for efficiently illuminate building facades, sports fields, advertising signage, retail spaces, parking areas and industrial warehouses. The Zeus series, achieves a high level of lighting performance, making it an effective and efficient alternative to traditional lamps.

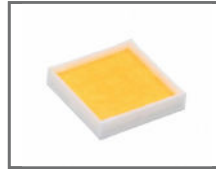


Driver Info



Type: Brand: 115V: Constant Current
 230V: Meanwell ®
 277V: 4.00A
 Input Watts: Efficiency: 2.00A
 1.20A
 250W
 93.5%

LED Info



Voltage: 36,3 V
 Brand: Cree ® Xlamp MHD-G
 Color Temp: 5000K
 Color Accuracy: >70 CRI
 Efficacy Tc=85°: 1590 Lm (700 mA)
 Junction Temp.: 150°

General Information

Code	Kelvin	Lumen (Tc=25°)	Watt	Weight
034ZEU250W50S	5000	31,200 Lm	240 W	10.0 Kg

General Characteristics

Power supply	100-277 VAC - 50/60 Hz Meanwell ®
Protection index	IP 66 Dust and protected from water jet proof.
Power factor	95%
Ballast	Electronic ballast
Insulation class	I

LED Characteristics

Tecnology	LED
LED type	Cree ® MHDGWT-0000-00N0BN250E
CRI (Ra)	> 70
Life time estimated L70	> 100.000 h
Color temperature	5,000 K
3-step MacAdam ellipse	Center point x,y (0.3447 , 0.3553)

Construction

Material body	Aluminum extruded
Glass	Temperated trasparent glass 5 mm
Gaskets	High-temperature silicone gaskets
Installation	Adjustable bracket installation
Operating temperature	-4° F / 104° F (-20° C / +40° C)

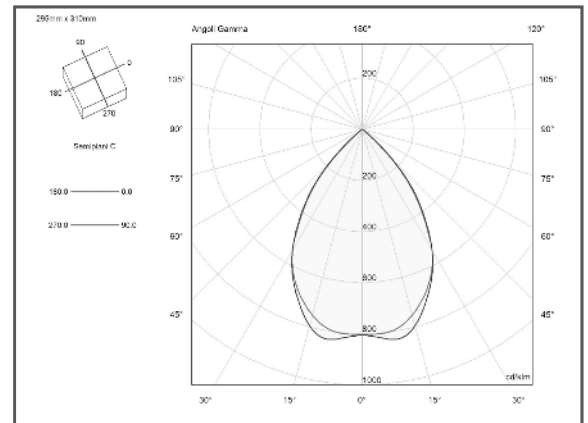
Optics Characteristics

Light diffusion	Direct light
Optics type	Khatod ® Symmetrical lens
Optics angle	Symmetrical 55° beam angle

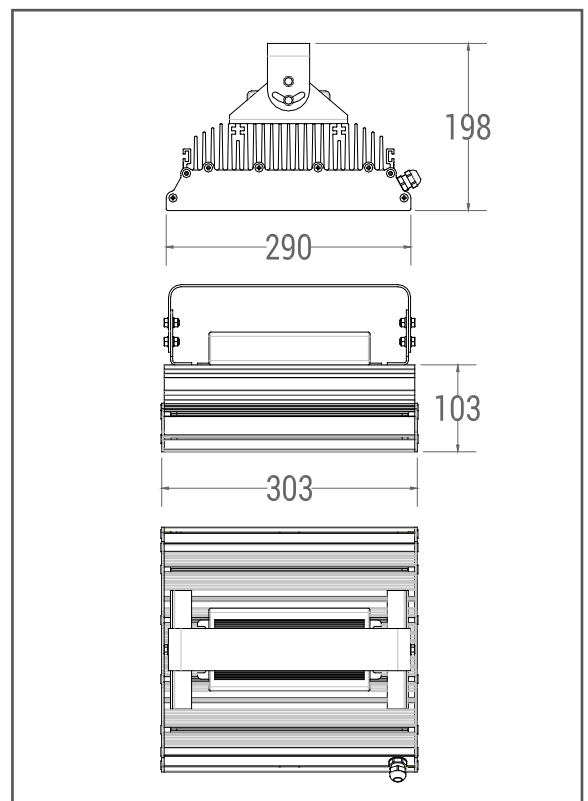
Other

Warranty	3 years
	Mercury and UV free, RoHS compliant

Light Curve



Technical Drawing



Made in Gmax Italia headquarter
 Via G. Donizetti 5 - 20090 - Assago MI - Italy
 www.gmaxitaliasrl.it

Migdal-or Lighting Eng Tel. 04-8525244 Fax. 04-8525245 office@migdal-or.org www.migdal-or.org

The specifications are subject to change without notice.

Zeus SP S3/480



Professional LED luminaries ideal for efficiently illuminate building facades, sports fields, advertising signage, retail spaces, parking areas and industrial warehouses. The Zeus series, achieves a high level of lighting performance, making it an effective and efficient alternative to traditional lamps.



Driver Info



Type: Brand: 115V: Constant Current
 230V: Meanwell ®
 277V: 4.00A
 Input Watts: Efficiency: 2.00A
 1.20A
 480W
 93.5%

LED Info



Voltage: 36,3 V
 Brand: Cree ® Xlamp MHD-G
 Color Temp: 5000K
 Color Accuracy: >70 CRI
 Efficacy Tc=85°: 1590 Lm (700 mA)
 Junction Temp.: 150°

General Information

Code	Kelvin	Lumen (Tc=25°)	Watt	Weight
034ZEU500S50S	5000	62,400 Lm	480 W	20.0 Kg

General Characteristics

Power supply	100-277 VAC - 50/60 Hz Meanwell ®
Protection index	IP 66 Dust and protected from water jet proof.
Power factor	95%
Ballast	Electronic ballast
Insulation class	I

LED Characteristics

Tecnology	LED
LED type	Cree ® MHDGWT-0000-00N0BN250E
CRI (Ra)	> 70
Life time estimated L70	> 100.000 h
Color temperature	5,000 K
3-step MacAdam ellipse	Center point x,y (0.3447 , 0.3553)

Construction

Material body	Aluminum extruded
Glass	Temperated trasparent glass 5 mm
Gaskets	High-temperature silicone gaskets
Installation	Adjustable bracket installation
Operating temperature	-4° F / 104° F (-20° C / +40° C)

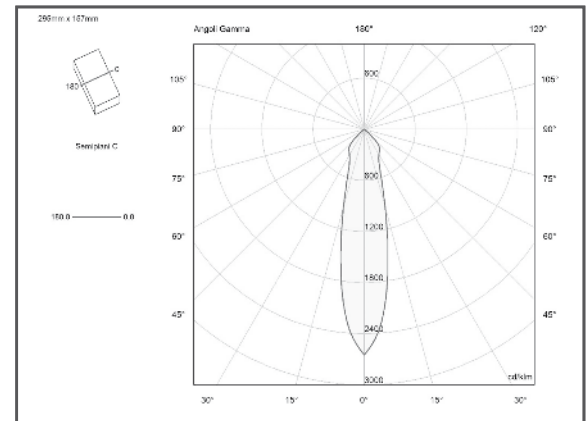
Optics Characteristics

Light diffusion	Direct light
Optics type	Khatod ® Symmetrical lens
Optics angle	Symmetrical 25° beam angle

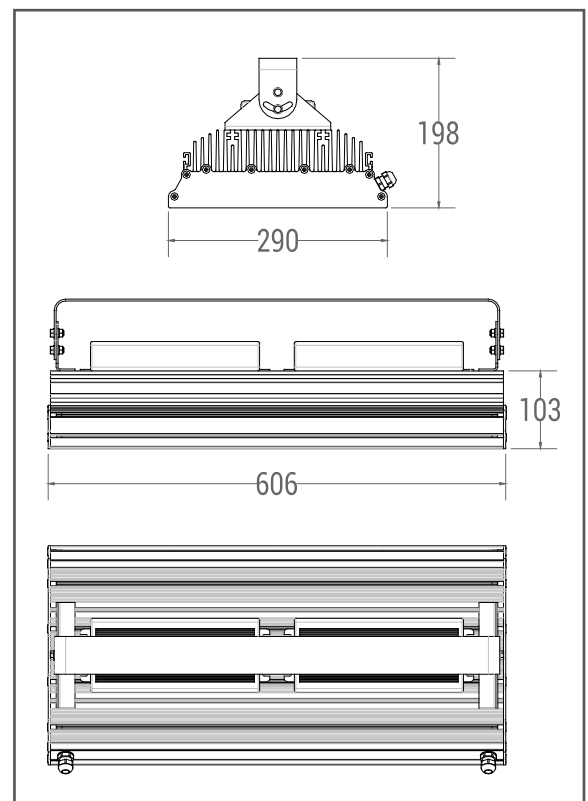
Other

Warranty	3 years
	Mercury and UV free, RoHS compliant

Light Curve



Technical Drawing



Made in Gmax Italia headquarter
 Via G. Donizetti 5 - 20090 - Assago MI - Italy
 www.gmaxitaliasrl.it

Migdal-or Lighting Eng Tel. 04-8525244 Fax. 04-8525245 office@migdal-or.org www.migdal-or.org

The specifications are subject to change without notice.