





LED Linear High Bays

QIAO



Better solutions for a Led Linear Highbays

-  **IP65 water-proof**
 -  **AC100-277V 50/60Hz**
 -  **Easy Installation**
 -  **130Lm/w**
- Operating Temp.:** -20°C ~+50°C **Storage Temp.:** -40°C~+80°C



Options

Power UL/TUV/CE/SAA Driver	Color 3000K 4000K 5000K 5700K	Beam Angle 60×100°
--------------------------------------	--	------------------------------

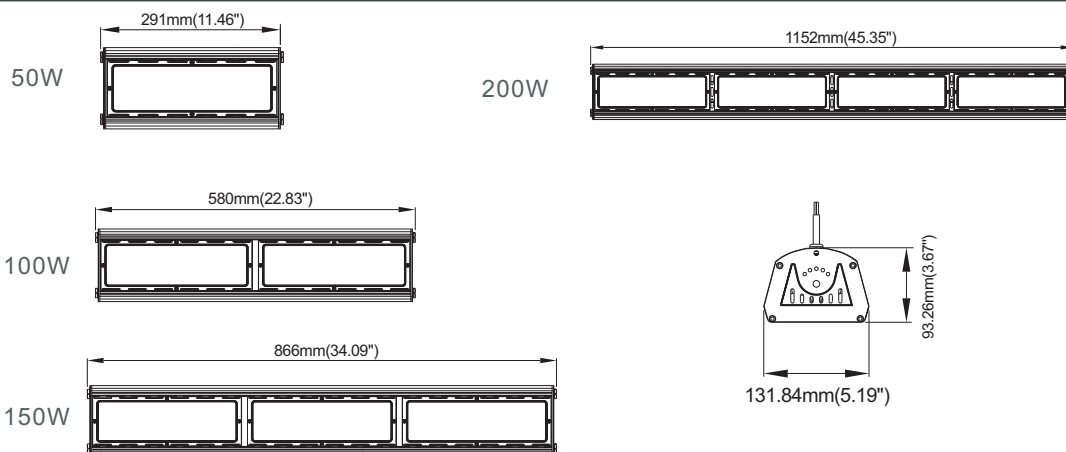
Application

Factories, Steel Mills, Steel Smelting Plants, Farms, sport Facilities & Workshops, Storage Facilities & Warehouses, Supermarkets & Department Stores, Showrooms, Design Centers & Galleries.

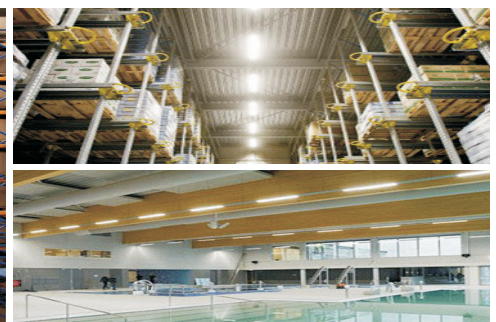
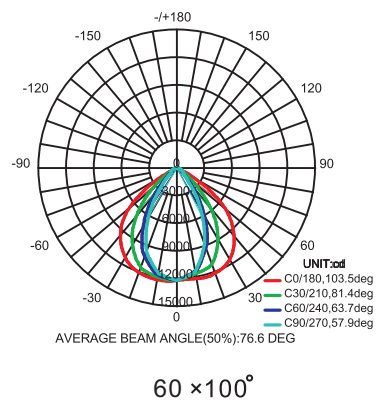
Specifications

Item	Power	Luminous Efficacy	Leds	CRI	Weight	Beam Angle
QIAO50W-03-G3	50W	130Lm/w	SMD 2835	> 80	2.00kg	60*100°
QIAO100W-03-G3	100W	130Lm/w	SMD 2835	> 80	3.22kg	60*100°
QIAO150W-03-G3	150W	130Lm/w	SMD 2835	> 80	4.37kg	60*100°
QIAO200W-03-G3	200W	130Lm/w	SMD 2835	> 80	5.51kg	60*100°

Dimensions(mm)



Photometry



QIAO

Model Options



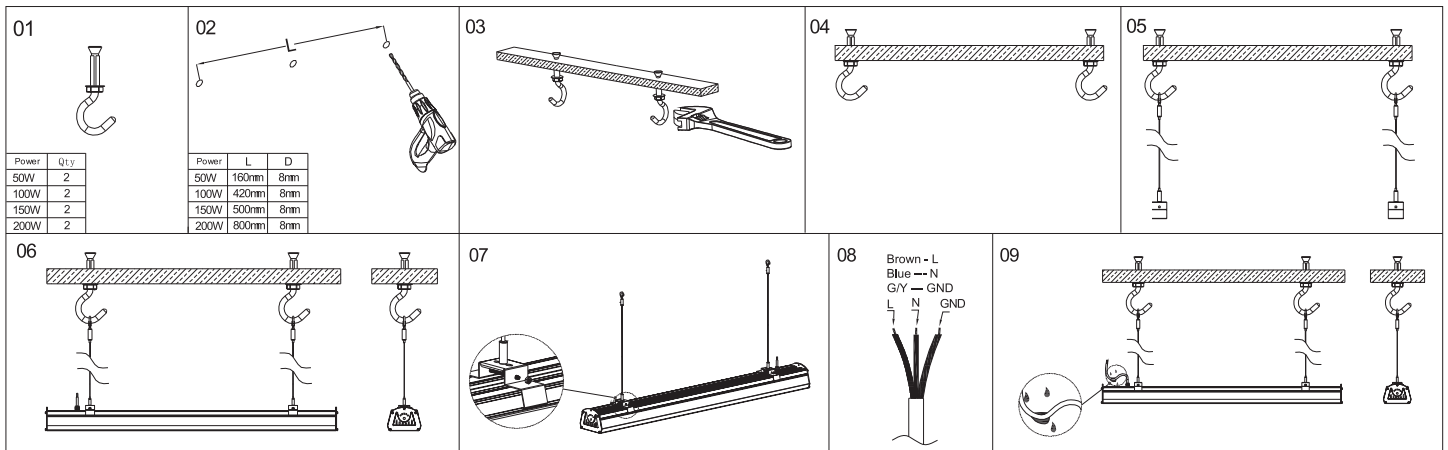
P1 Hanging Installation (Standard)



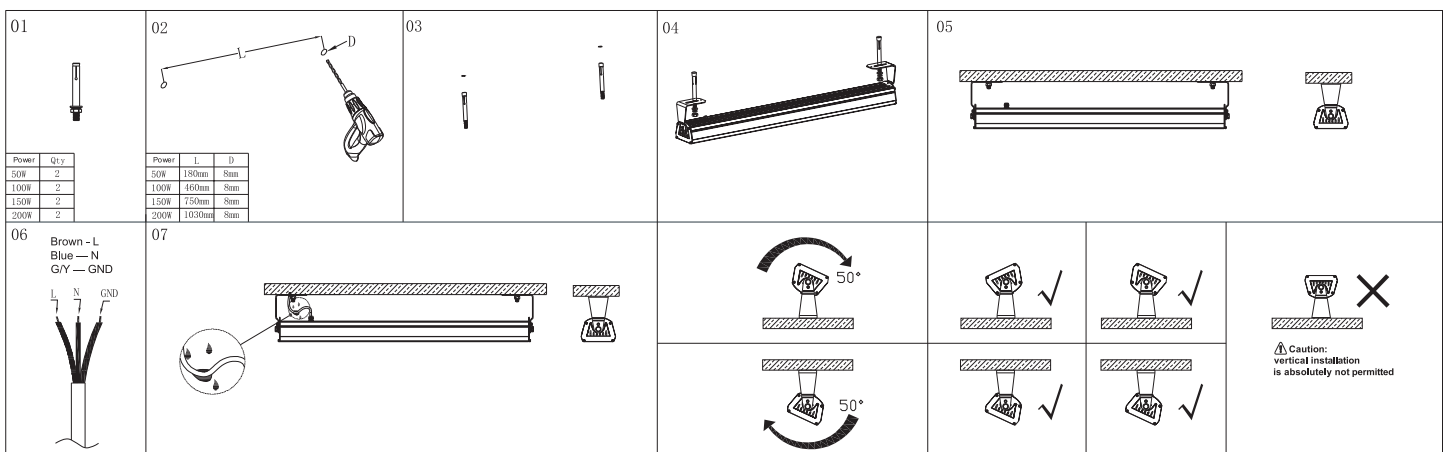
P2 Ceiling Installation

Installation and use

P1 Hanging Installation (Standard)



P2 Ceiling Installation



Packing Spec

Item	Box			Carton		
	Measurement(mm)	Gross weight	Pcs/box	Measurement(mm)	Gross weight	Pcs/box
QIAO50W-03-G3	L335*W188*H138	2.80kg	1	/	/	/
QIAO100W-03-G3	L618*W188*H138	4.20kg	1	/	/	/
QIAO150W-03-G3	L976*W188*H138	5.30kg	1	/	/	/
QIAO200W-03-G3	L1190*W188*H138	6.50kg	1	/	/	/