

# Storm S4/130



Professional LED luminaries ideal for efficiently illuminate building facades, sports fields, advertising signage, retail spaces, parking areas and industrial warehouses. The Storm series, achieves a high level of lighting performance, making it an effective and efficient alternative to traditional lamps.

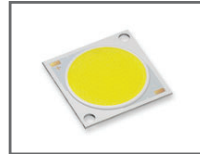


## Driver Info



Type: Constant Current  
 Brand: Meanwell ® ELG-150  
 Voltage: 54 V  
 Rated Current: 2.80 A  
 Rated Power: 151.20 W  
 Frequency Range: 47-63 Hz  
 Efficiency: >0.95/230 VAC

## LED Info



Voltage: 47.8-56.2 V  
 Brand: Citizen ® Citiled V5  
 Color Temp: 4000K, 5000K  
 Color Accuracy: >80 CRI  
 Efficacy Tc=25°: 153-156 Lm/W  
 Junction Temp.: 140°

## General Information

Code	Kelvin	Lumen (Tc=25°)	Watt	Weight
021SPT150A40G	4000	20,640 Lm	130 W	7.0 Kg
021SPT150A50G	5000	20,950 Lm	130 W	7.0 Kg

## General Characteristics

Power supply	100-277 VAC - Meanwell ® ELG-150-54A
Protection index	IP 66 Dust and protected from water jet proof.
Power factor	95%
Ballast	Electronic ballast
Insulation class	I

## LED Characteristics

Technology	LED
LED type	Citizen ® Citiled CLU058-1825C4
CRI (Ra)	> 80
Life time estimated L70	> 100.000 h
3-step MacAdam ellipse	4,000 K center point x,y ( 0.3818 , 0.3796 ) 5,000 K center point x,y ( 0.3446 , 0.3551 )

## Construction

Material body	Aluminum extruded
Glass	Temperated trasparent glass 5 mm
Gaskets	High-temperature silicone gaskets
Installation	Adjustable bracket installation
Operating temperature	-4° F / 104° F (-20° C / +40° C)

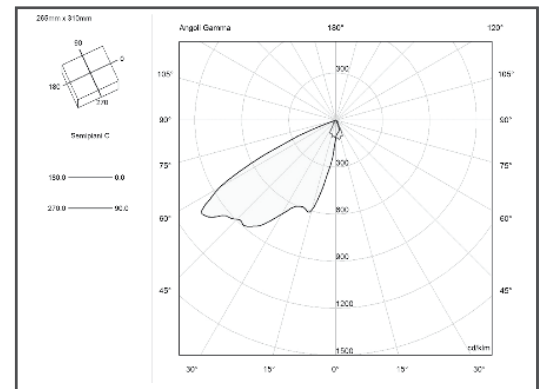
## Optics Characteristics

Light diffusion	Direct light
Optics type	Asymmetrical lens
Optics angle	Asymmetrical 55° beam angle

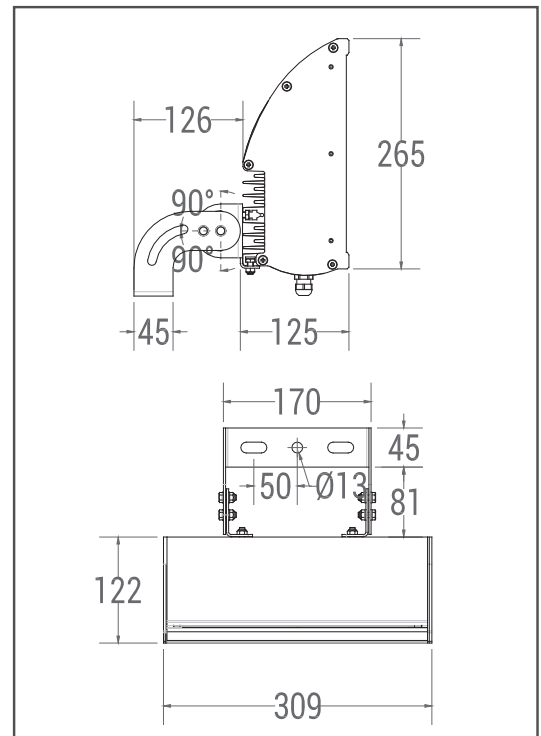
## Other

Warranty	3 years
Mercury and UV free, RoHS compliant	

## Light Curve



## Technical Drawing



**CE RoHS**



Made in Gmax Italia headquarter  
 Via G. Donizetti 5 - 20090 - Assago MI - Italy  
[www.gmaxitaliasrl.it](http://www.gmaxitaliasrl.it)

The specifications are subject to change without notice.  
 Gmax Italia Headquarter | Via Gaetano Donizetti 5 | Assago | 20090 MI | T. +39-02-848-939-82 | W. [www.gmaxitaliasrl.it](http://www.gmaxitaliasrl.it)