

SPECIFICATION



PALERMO20 LED FLOOD LIGHT



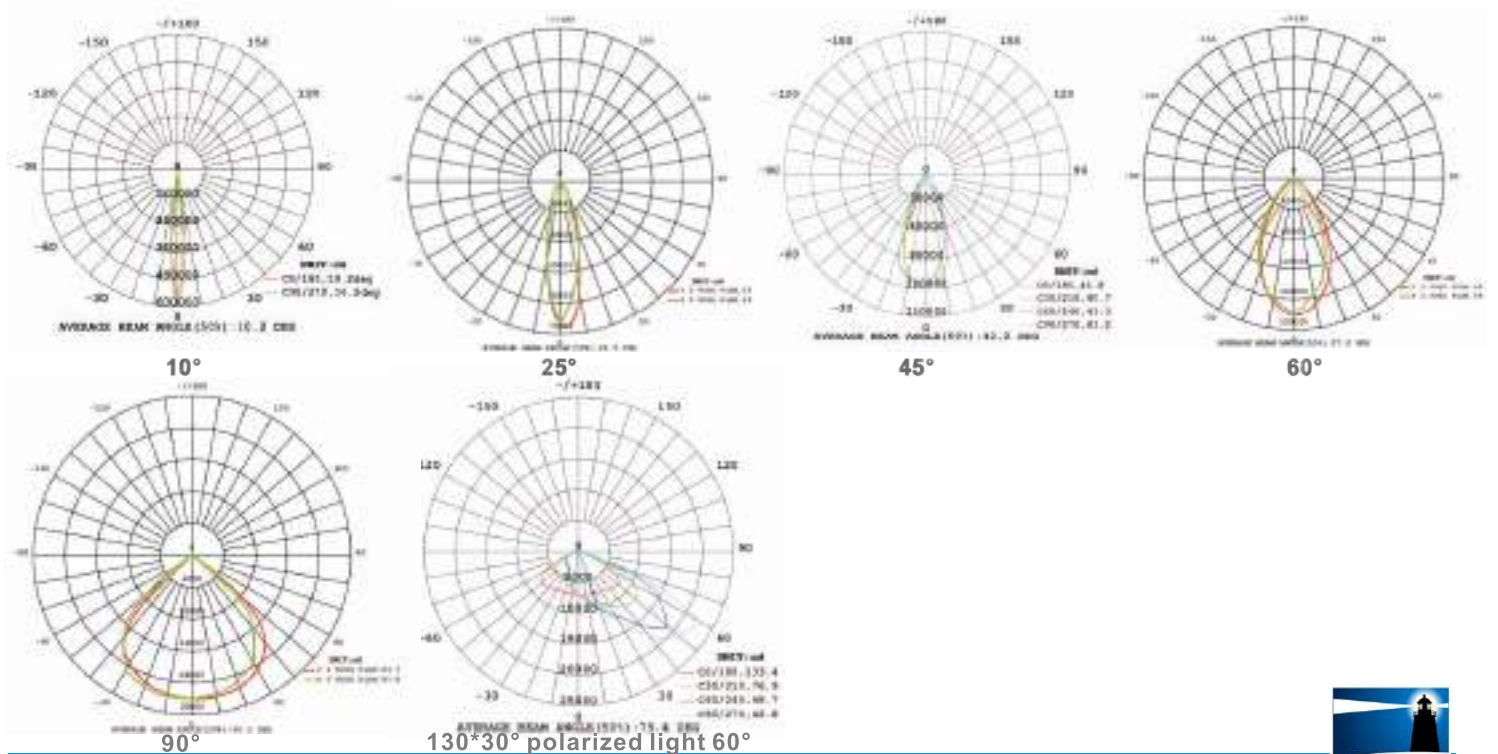
LM79



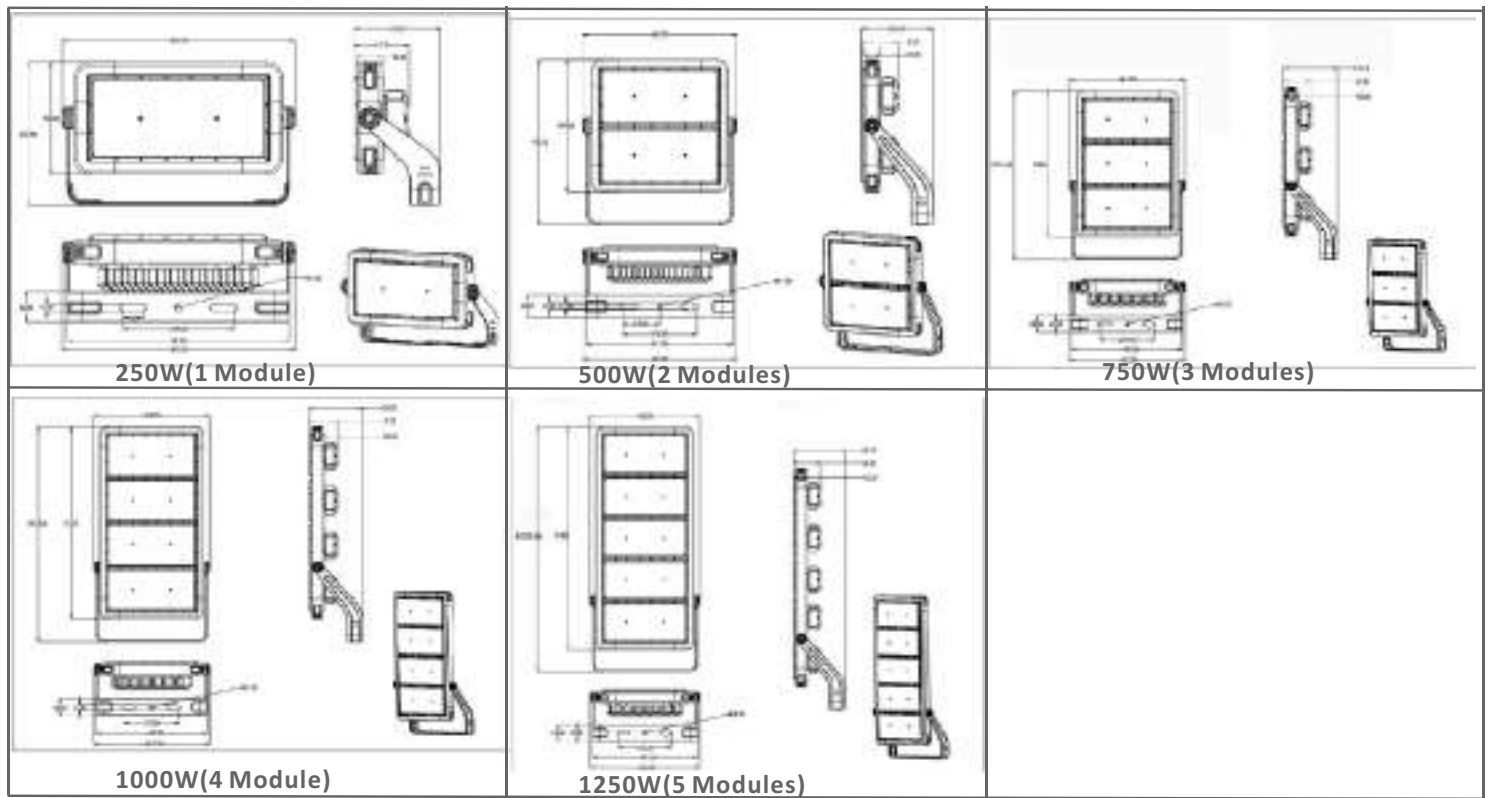
Technical Parameters

Model No.	PALERMO20-250W	PALERMO20-500W	PALERMO20-750W	PALERMO20-1000W	PALERMO20-1250W
System Watts/W	250W	500W	750W	1000W	1250W
System Efficiency/LPW	150LPW				
Lumen Output/lm	37.500±5%	75.000±5%	112.500±5%	150.000±5%	187.500±5%
Rated Input Voltage/V	AC100~277V 50/60Hz				
LEDs Light Source	SMD3030				
SDCM	<6				
CCT/K	3000K/4000K/5000K/5700K/6500K				
CRI/Ra	>70Ra OR >80Ra OR >90Ra				
Power Factor	>0.95				
THD	<10%				
Beam Angle(Optional)	10°/25°/45°/60°/90°/130*30° polarized light 60°				
UGR	<25				
Surge Protection	6~10KV SPD built in Driver, Exterior SPD 10KV(PHILIPS) or 20KV Meanwell Optional				
LED Driver	Meanwell ELG/HLG				
IP & IK Rating	IP66 IK08				
Dimming(Optional)	0/1-10V/PWM/DALI/Zigbee				
Protection Class	Class I				
Finishing Color(Optional)	Black RAL9017 / White RAL9016				
Material	Aluminum+PC				
Lifespan/hrs	>50.000 Hrs (Ta=30°C @L70)				
Operation Temp/°C	-40°C to + 50°C(-40°F to 122°F)				
Storage Temp/°C	-40°C to + 65°C(-40°F to 149°F)				
Installation(Optional)	Ground Mounting, Wall Mounting, Ceiling Mounting, Pipe Mounting				
Certificate	CE(EMC+LVD),RoHS,D-Mark,SAA,RCM Available;				

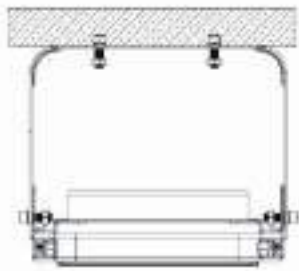
Photometry Diagram



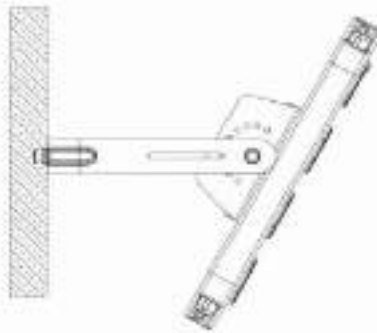
Dimensions



Installation



(I) Ground Mounting



(II) Wall Mounting



(III) Ceiling Mounting

L	brown	black	Dimmable				
	N	blue					white
⊕ GND	yellow/green	green	DIM+	blue	brown	purple	white
			DIM-	white	blue	gray	black

WARNING !

1. Switch off before installation.
2. Switch on only after complete installation and examination of the circuit.
3. Professional electrician for installation and maintenance only.



Turn Off Power Supply