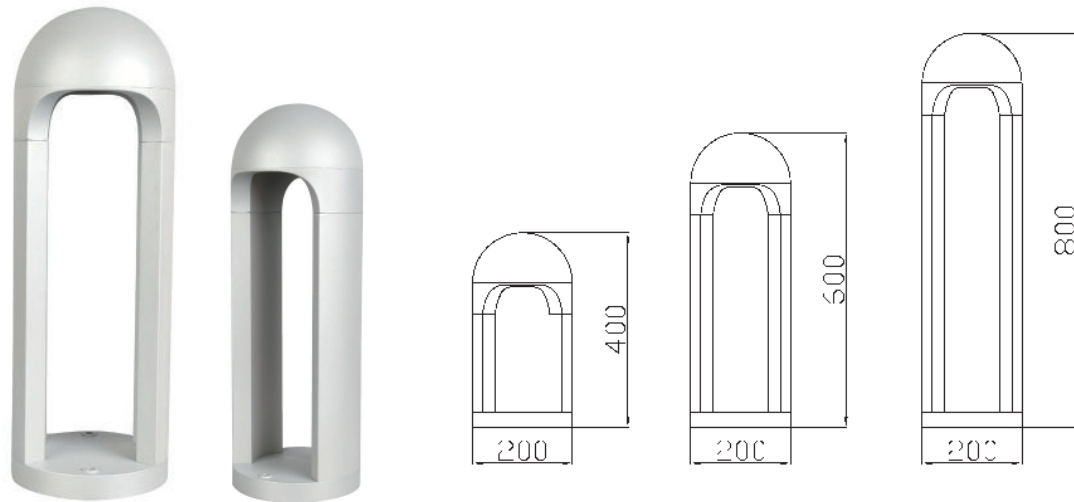


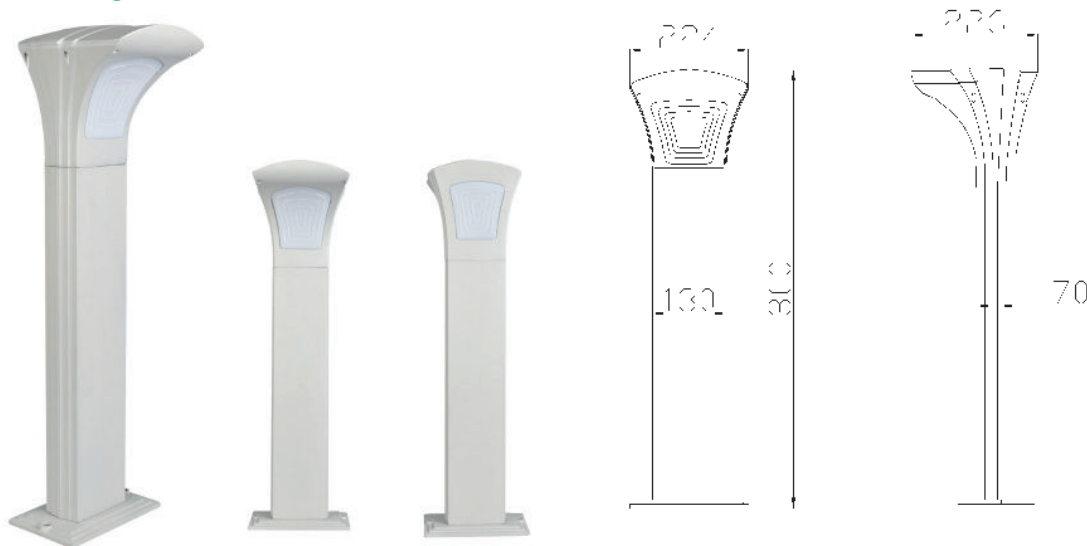
MG-LED-043



Specification:

1.LED Quantity:1pc COB	6.Color Temperature:2700-6500K	alloy,with extruded aluminum alloy
2.Power:10W	7.Color Rendering Index: > 70	11.IP Rate:IP65
3.Input Voltage:100-240V	8.LED Efficiency:50LM/W	12.Work Temperature:-30°C-60°C
4.Frequency Range:50-60HZ	9.Luminous Flux:500LM	13.Humidity:10%-90%
5.Power Factor: > 0.9	10.Material: Die casting aluminum	14.LED Life: > 50000h

MG-LED-044



Specification:

1.LED Quantity:100pcs 2835	6.Color Temperature:2700-6500K	alloy,with extruded aluminum alloy
2.Power:2×10W	7.Color Rendering Index: > 70	11.IP Rate:IP65
3.Input Voltage:100-240V	8.LED Efficiency:70LM/W	12.Work Temperature:-30°C-60°C
4.Frequency Range:50-60HZ	9.Luminous Flux:2×700LM	13.Humidity:10%-90%
5.Power Factor: > 0.9	10.Material: Die casting aluminum	14.LED Life: > 50000h