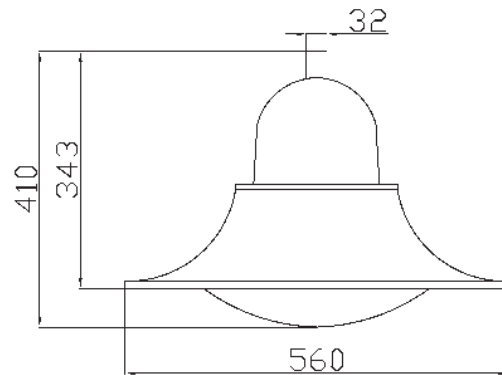


MG-LED-052



Specification:

1.LED Quantity:63pcs 3030/24pcs 5050	7.Color Rendering Index: > 70	12.Material: Die casting Aluminum Alloy
2.Power:30W/50W/60W	8.LED Efficiency:120LM/W	13.Diffuser:Clear PC
3.Input Voltage:100-240V/277V	9.Luminous Flux:3600LM/6000LM	14.IP Rate: IP65
4.Frequency Range:50-60HZ	/7200LM	15.Humidity:10%-90%
5.Power Factor: > 0.9	10.Work Temperature:-30°C-60°C	16.LED Life: > 50000h
6.Color Temperature:2700-6500K	11.Installation pole dia:32MM	

