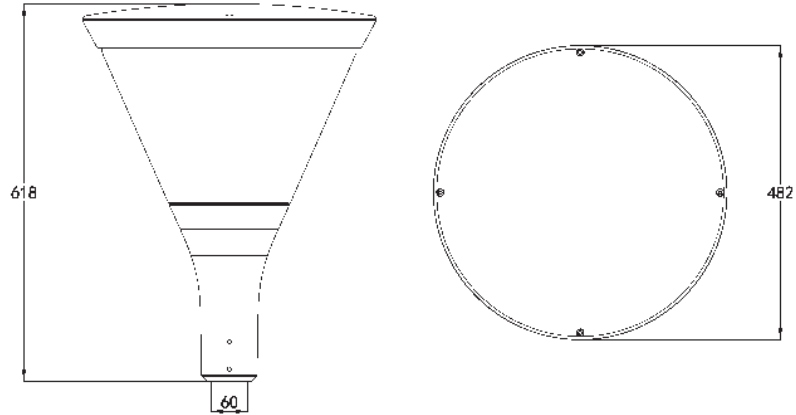


MG-LED-050A

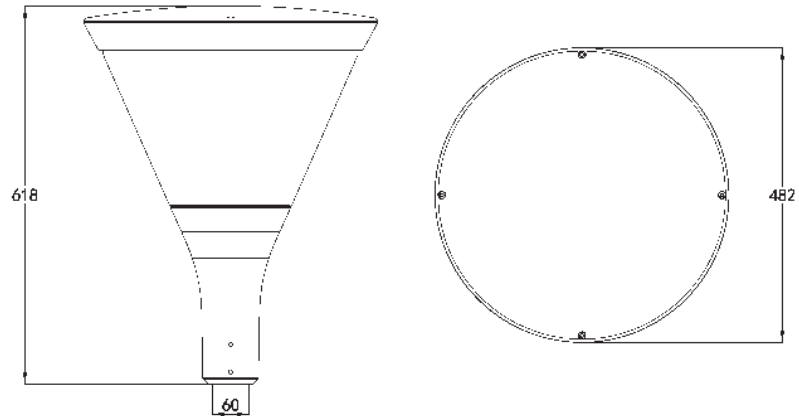


Specification:

1.LED Quantity:1pc COB	7.Color Rendering Index: >70	12.Material: Die casting Aluminum Alloy
2.Power:30W/40W/50W	8.LED Efficiency:70LM/W	13.Diffuser:Clear PC
3.Input Voltage:100-240V/277V	9.Luminous Flux:2100LM/2800LM /3500LM	14.IP Rate: IP65
4.Frequency Range:50-60HZ	10.Work Temperature:-30°C-60°C	15.Humidity:10%-90%
5.Power Factor: > 0.9	11.Installation pole dia:60MM	16.LED Life: > 50000h
6.Color Temperature:2700-6500K		



MG-LED-050B



Specification:

1.LED Quantity:72pcs/108pcs 3030	7.Color Rendering Index: > 70	12.Material: Die casting Aluminum Alloy
2.Power:30W/60W/90W	8.LED Efficiency:100LM/W	13.Diffuser:Clear PC
3.Input Voltage:100-240V/277V	9.Luminous Flux:3000LM/6000LM /9000LM	14.IP Rate: IP65
4.Frequency Range:50-60HZ	10.Work Temperature:-30°C-60°C	15.Humidity:10%-90%
5.Power Factor: > 0.9	11.Installation pole dia:60MM	16.LED Life: > 50000h
6.Color Temperature:2700-6500K		

