



LED SOLAR LIGHT



CIGA SOLAR light





The new CIGA SOLAR light

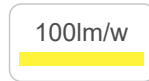
reflects the role of nature and the desire to stay connected with a more organic urban environment.

It relates to the pedestrian experience across an entire campus setting with a visually uniform family of products designed to enhance architectural applications.

Can provide suitable light distribution scheme according to different usage scenarios,

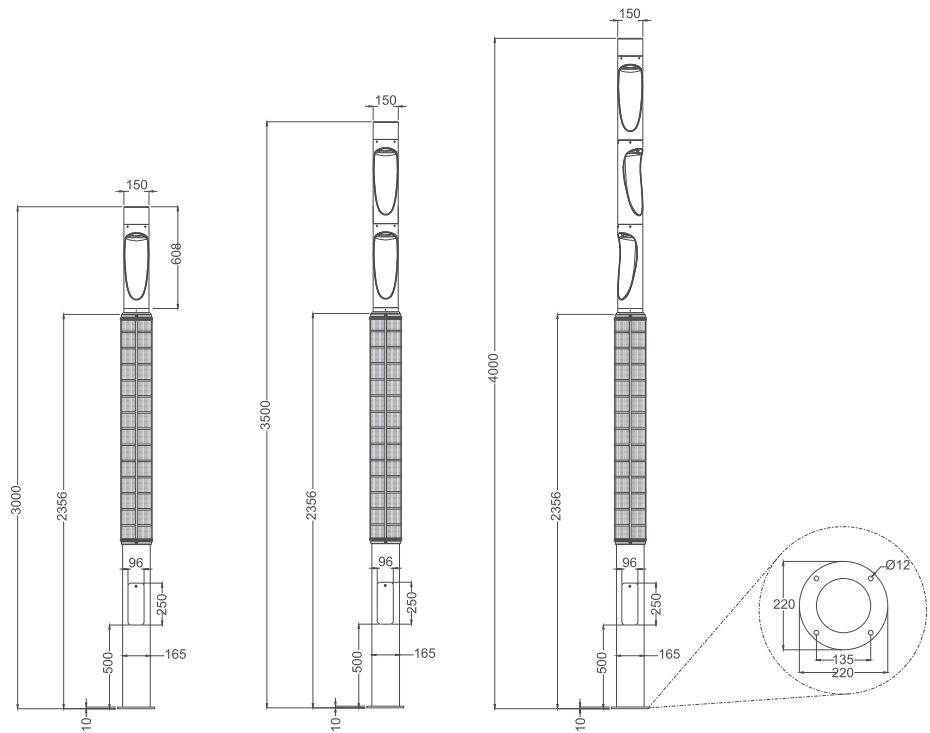
CERTIFICATE

CE CB  RoHS



PRODUCT SPECIFICATION

Item	CIGA SOLAR		
Power	20W	25W	30W
Efficiency	>100lm/w		
Lumen output	≥2000lm	≥2500lm	≥3000lm
Battery	Lithium battery		
	≥2000lm	≥2500lm	≥3000lm
Life span	50,000hrs at Ta=25deg, L70/B10		
Color Temperature	1750K-6500K		
Optic lens	PC diffusion board		
Solar controller	HHY RD0306-S30		
Solar panels	120W Cylindrical component(17.7V)		
Conversion efficiency	≈17%		
Housing	Aluminum lamp head+galvanized lamp post		
Housing color	● RAL 7035	● RAL7024 (others upon request)	
IP Rating	IP66		
IK Rating	IK08		
Working Temperature	-20°C ~ + 60°C		
Continuous lighting time	2 days		
Warranty	5 years (BATTERY LIFE Charge and discharge ≤ 2000 times)		



APPLICATIONS



BUILDING SURROUNDS



PARKS, PROMENADES & PATHWAYS



PEDESTRIAN AREAS & CYCLE PATHS



URBAN & RESIDENTIAL STREETS